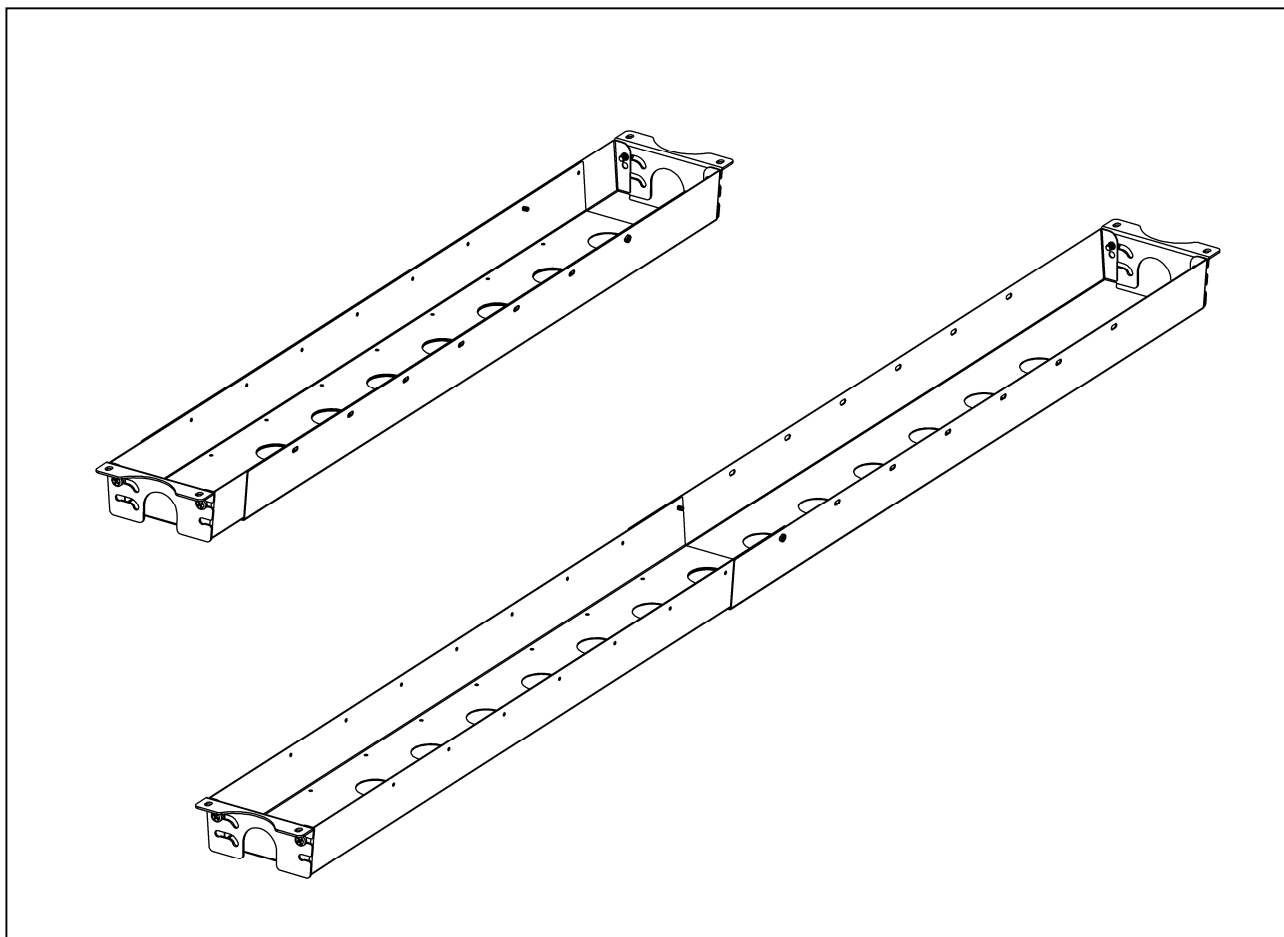


UNIVERSAL CABLE-TRAY

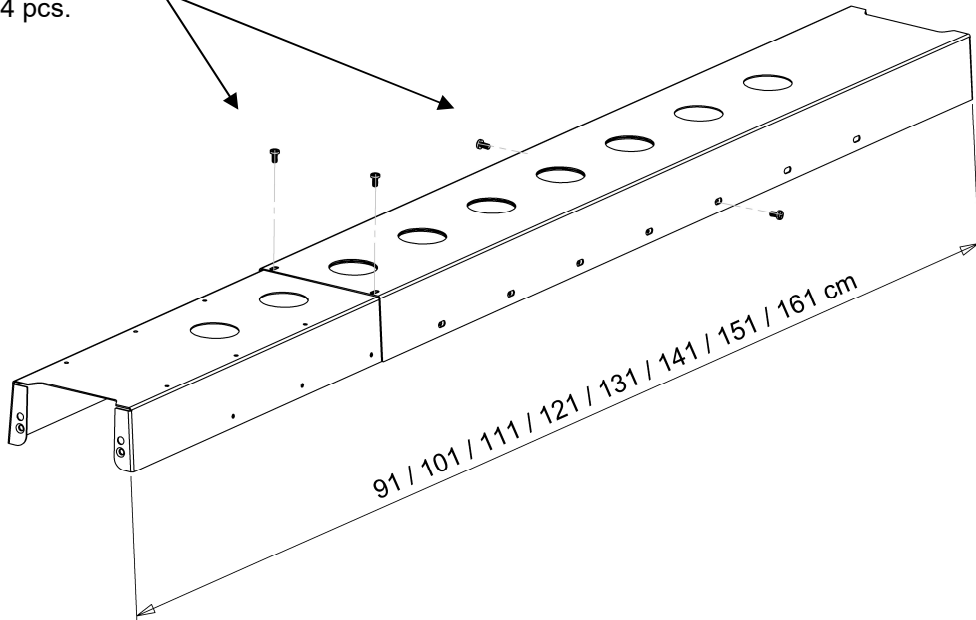
CONSET – MODEL: 501-1 XX CX096-166



EN

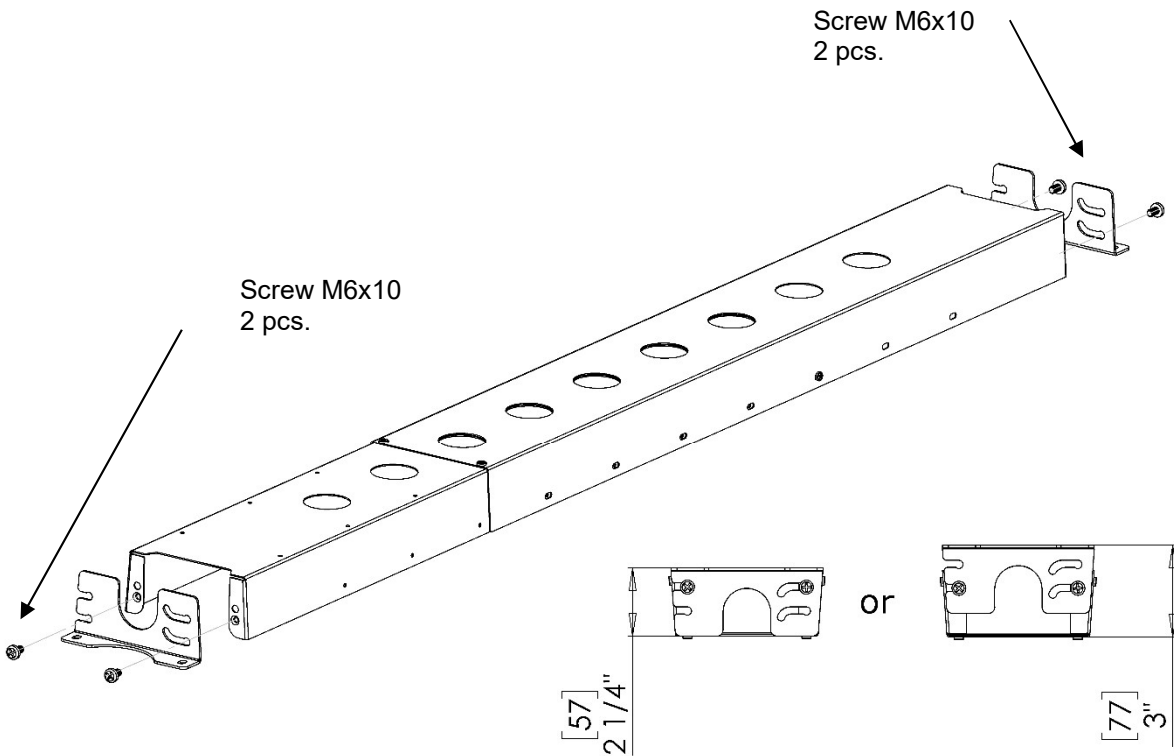
1. ASSEMBLY INSTRUCTION – STANDARD DESK

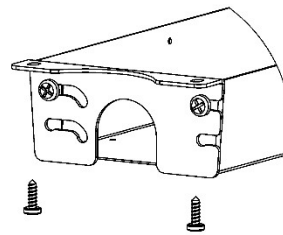
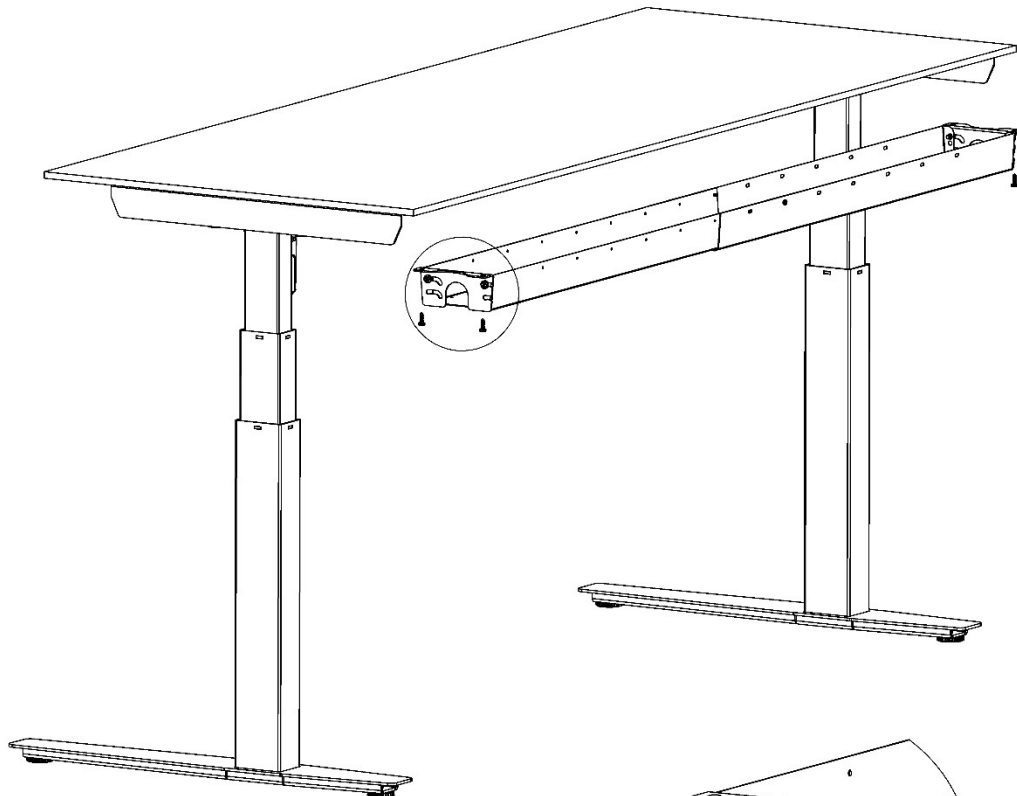
Screw M4x8
4 pcs.



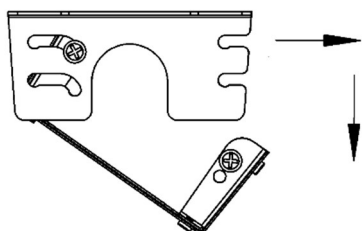
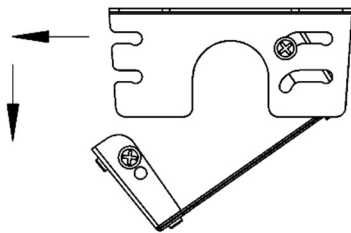
Screw M6x10
2 pcs.

Screw M6x10
2 pcs.





Screw 5x20
4 pcs.



1. The tray can be mounted facing to open either towards the user or towards the back of the desk. Decide which way around prior to fitting.
2. After the tray is fitted to the tabletop then loosen the screws M6x10 (4 pcs.) approximately one turn for easy operation.