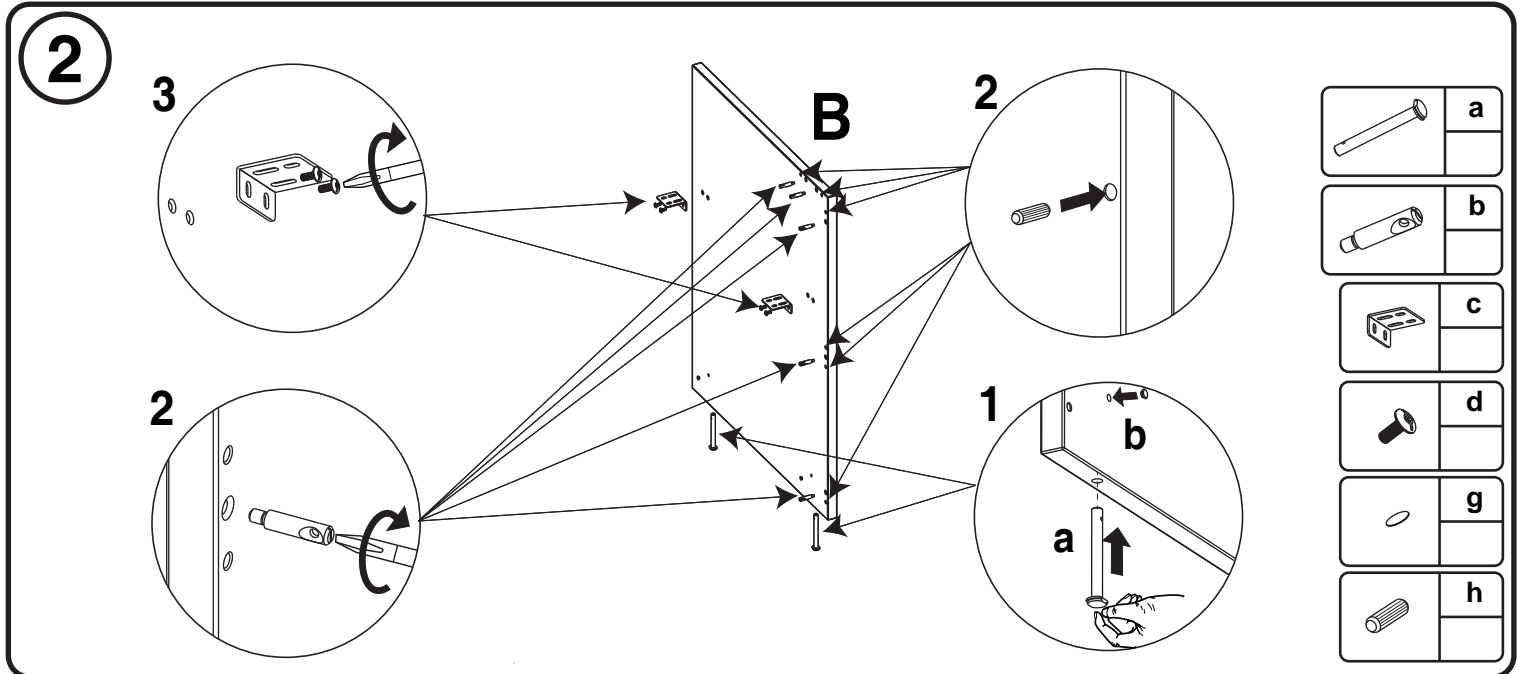
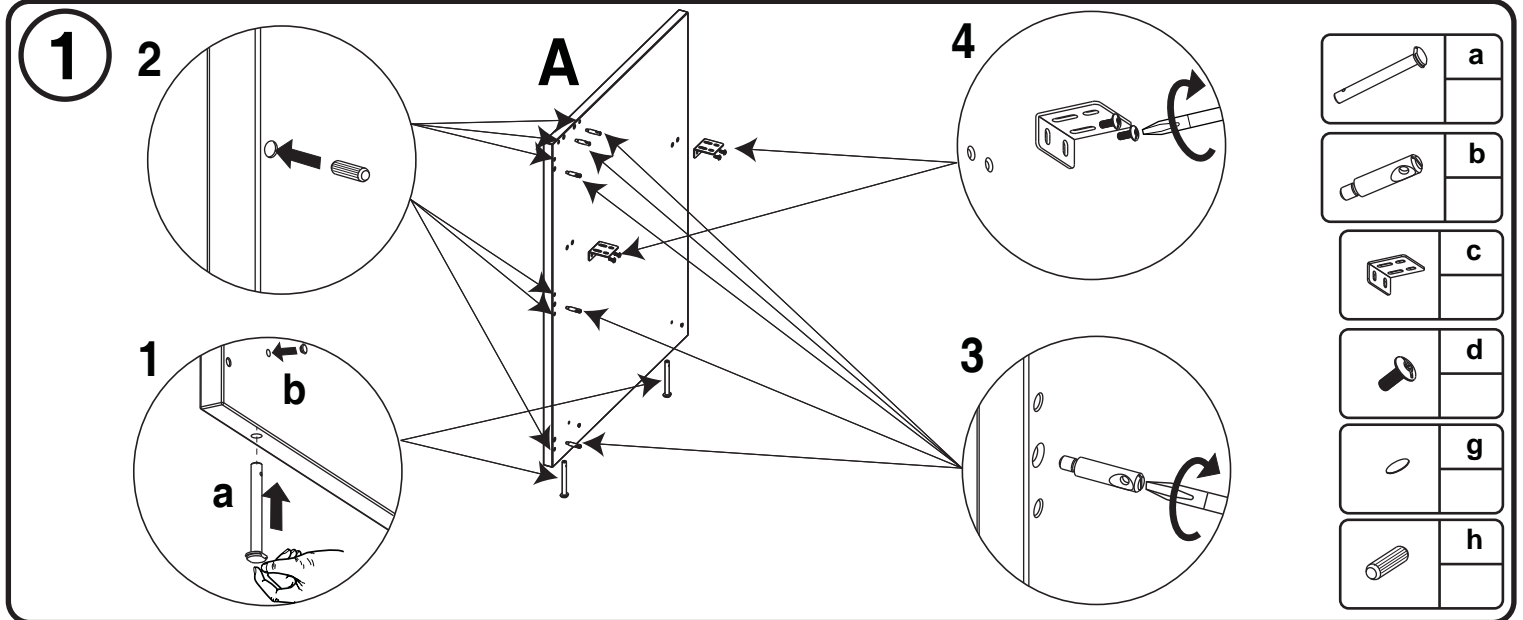
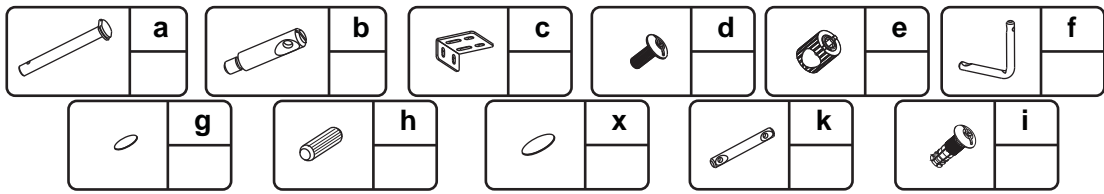
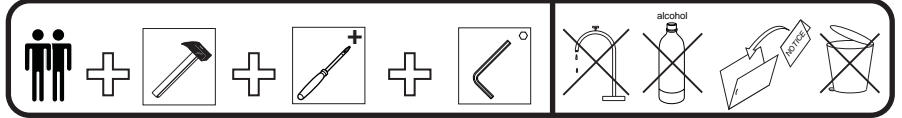
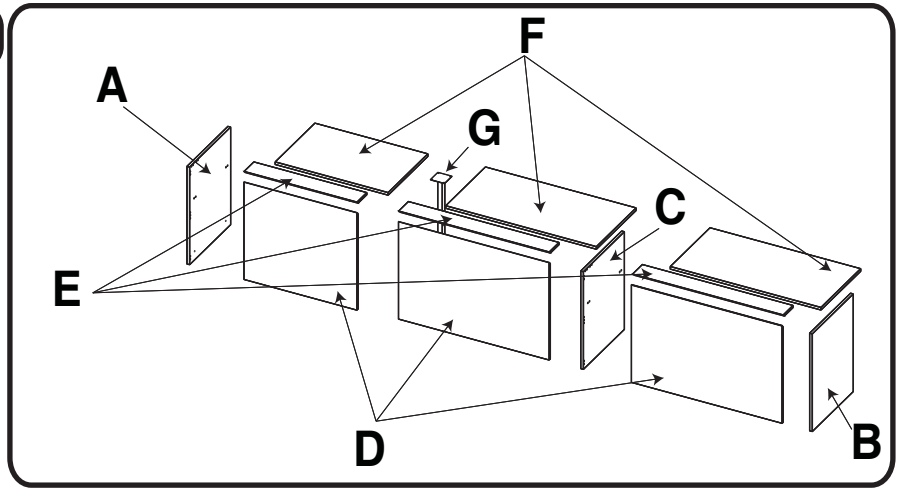
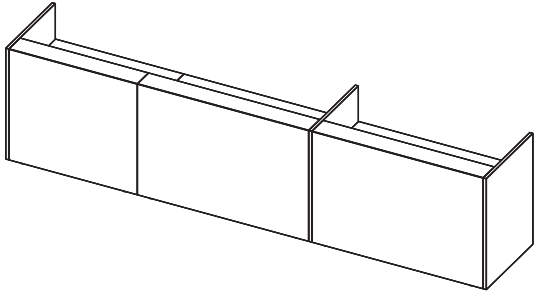
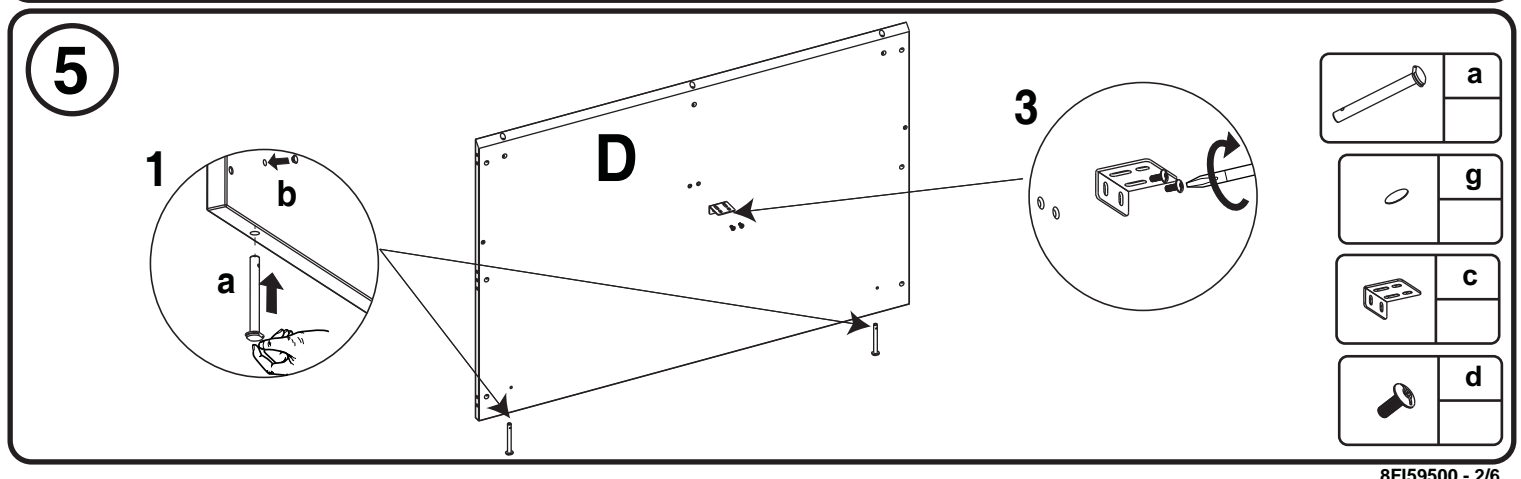
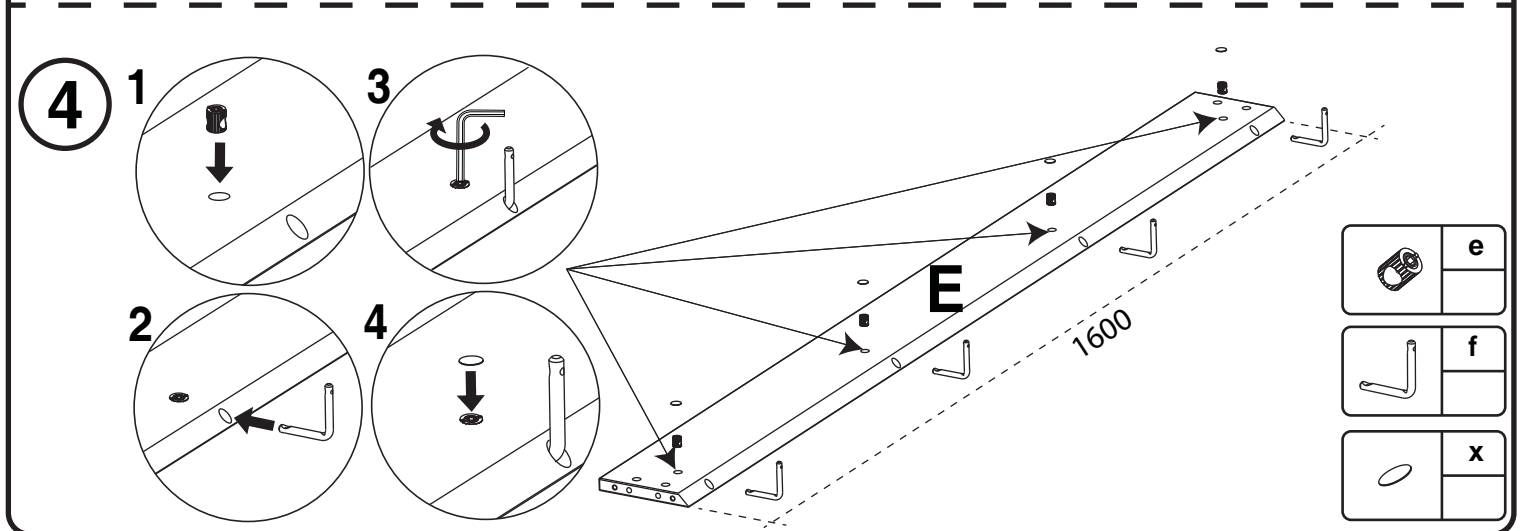
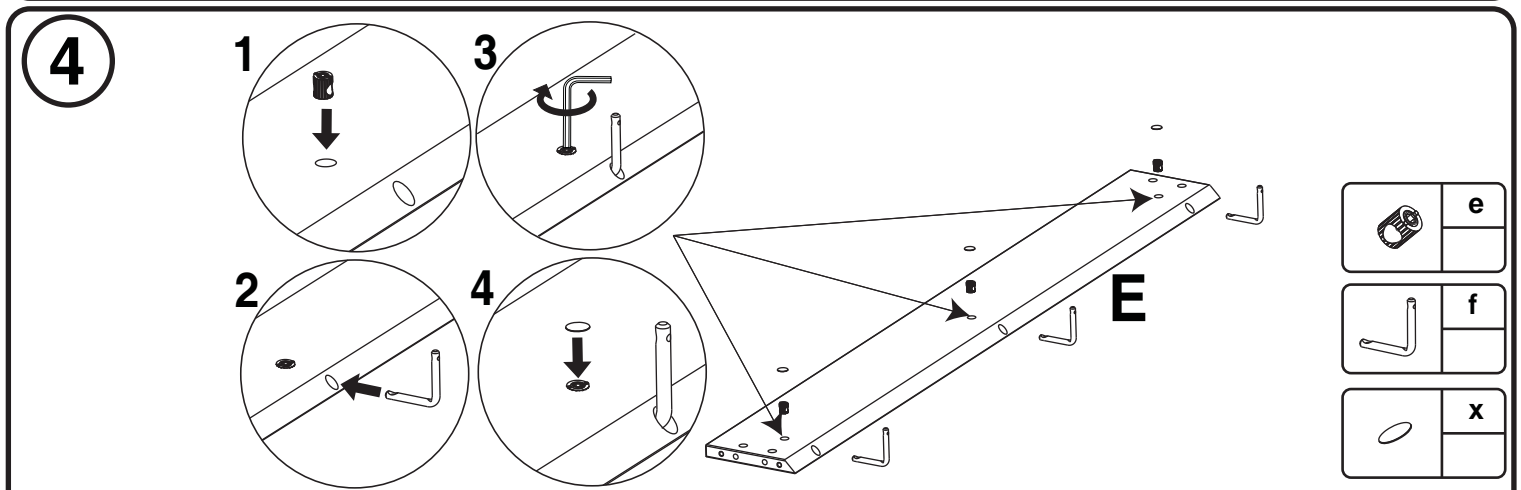
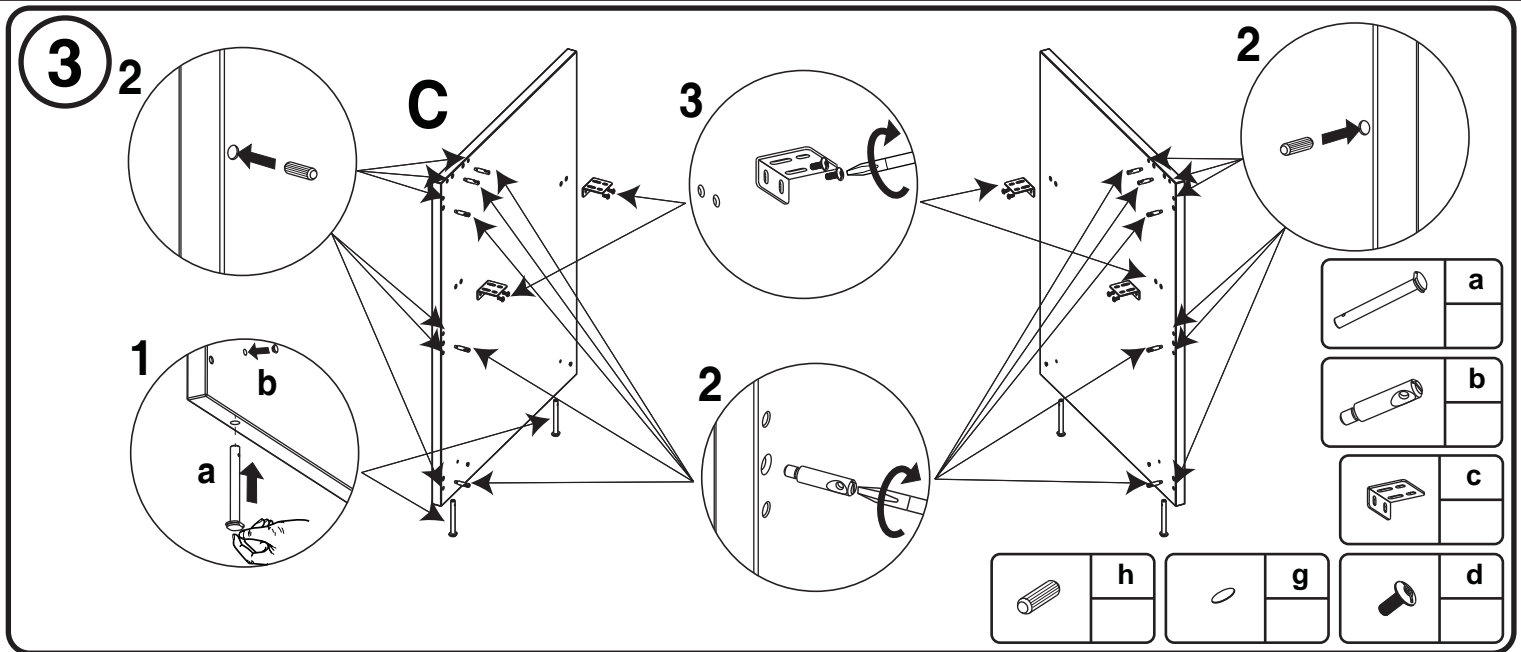
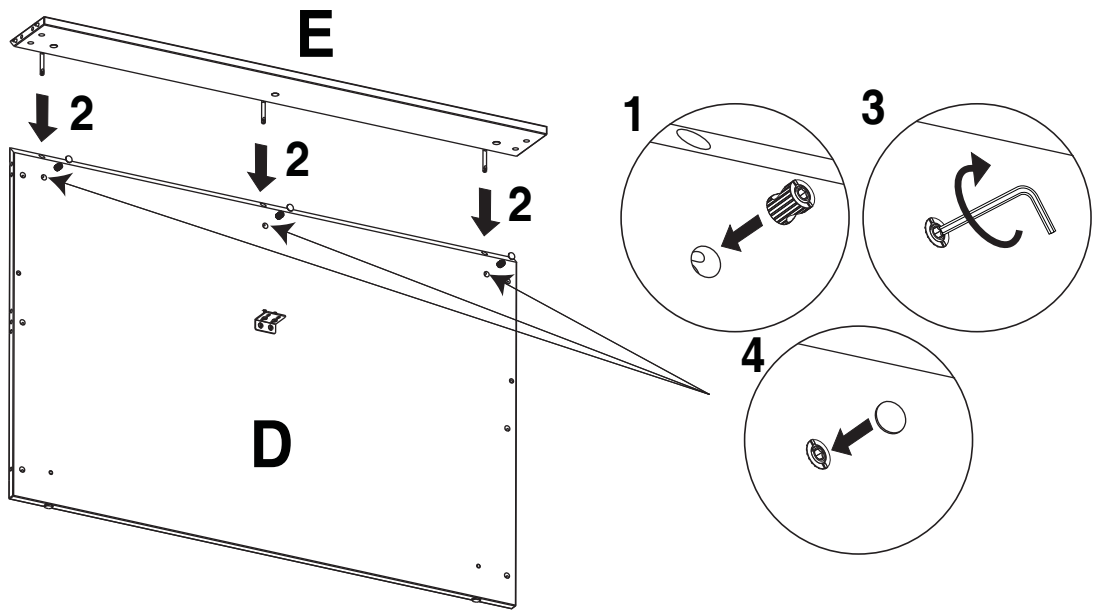


N° 8FI59500



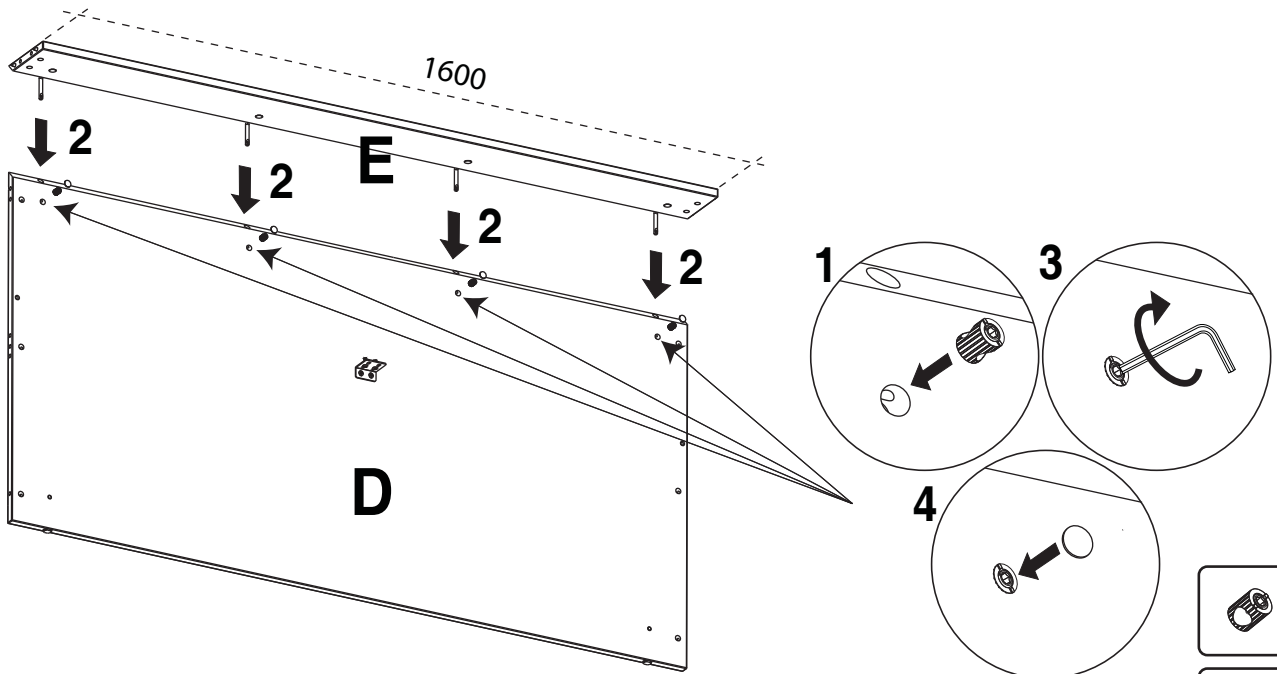


6



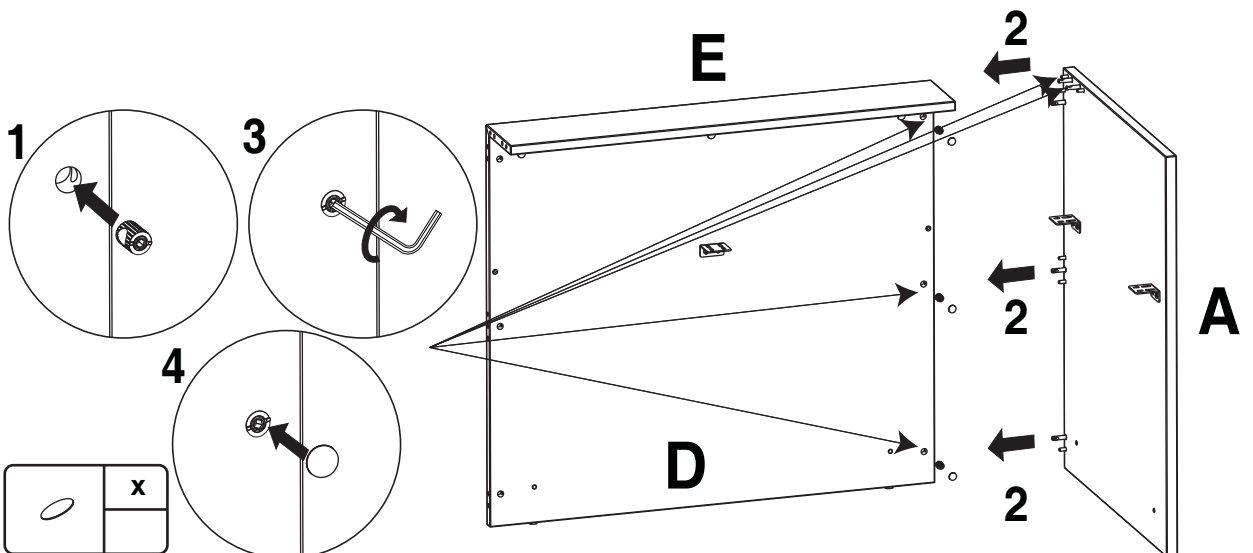
	e
	x

6



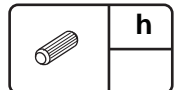
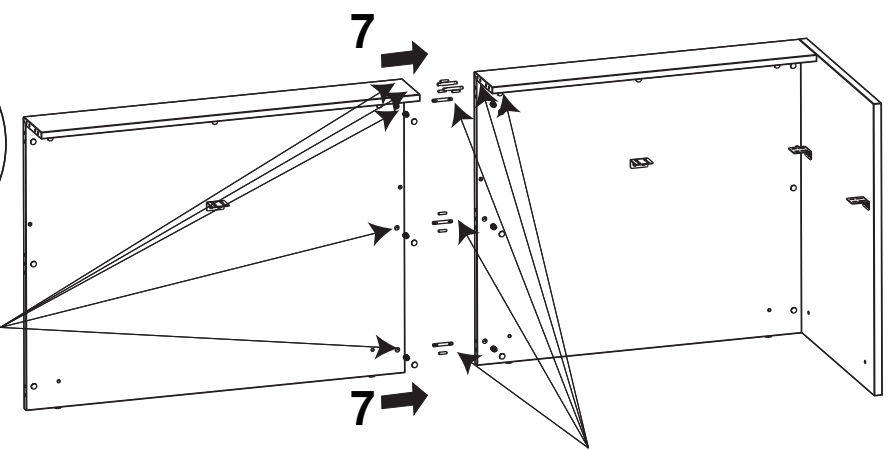
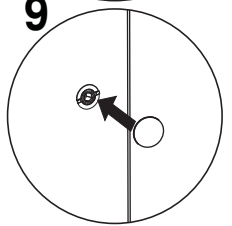
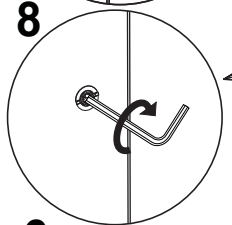
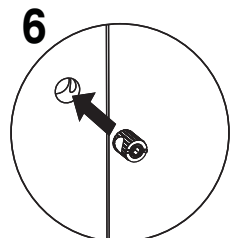
	e
	x

7



	e
	x

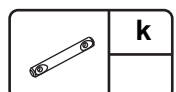
8



h



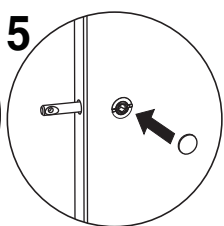
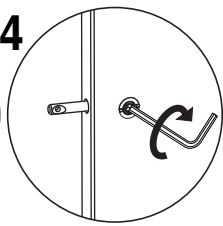
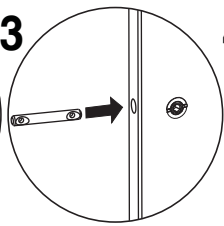
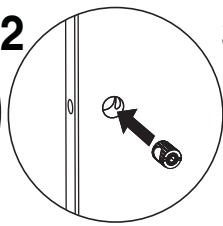
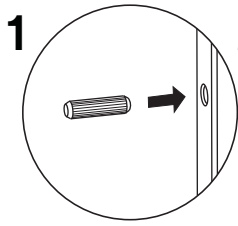
e



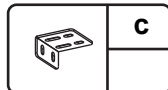
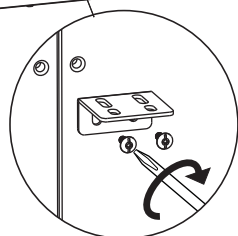
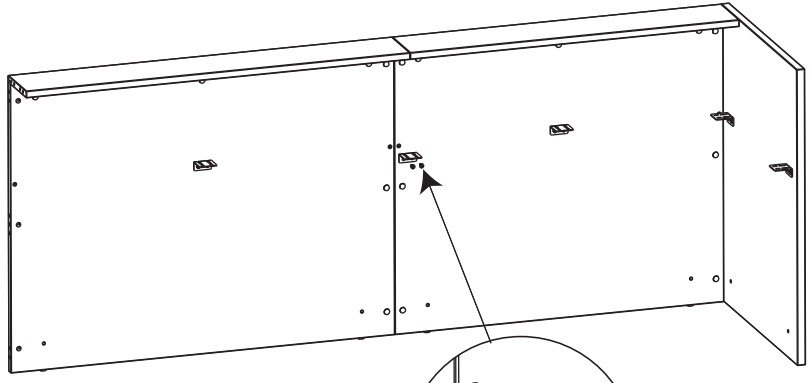
k



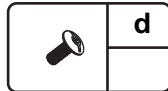
x



9

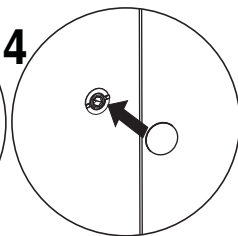
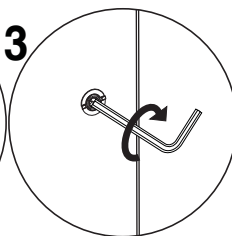
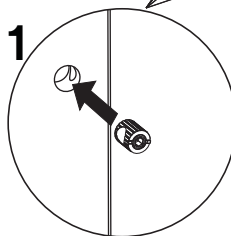
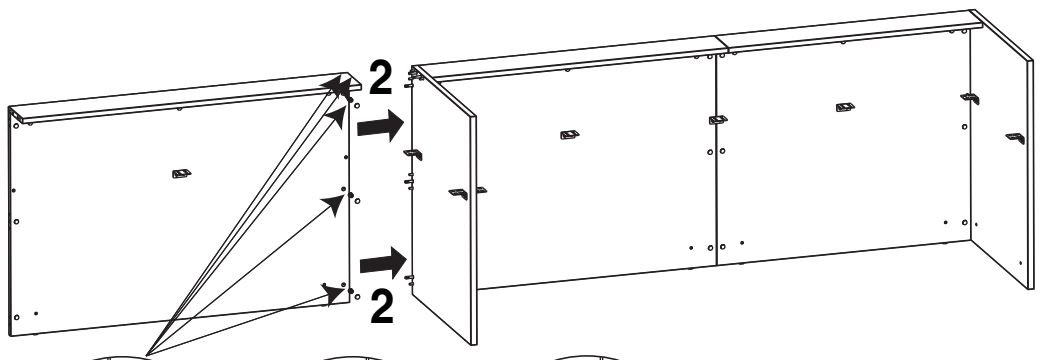


c

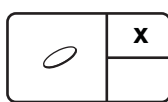


d

10

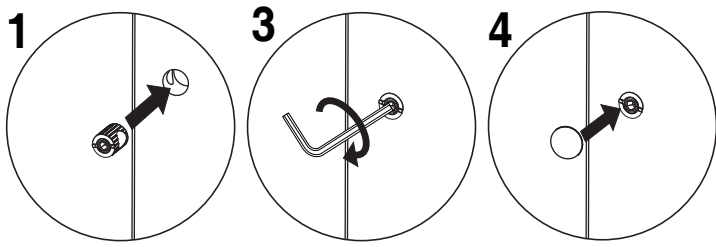
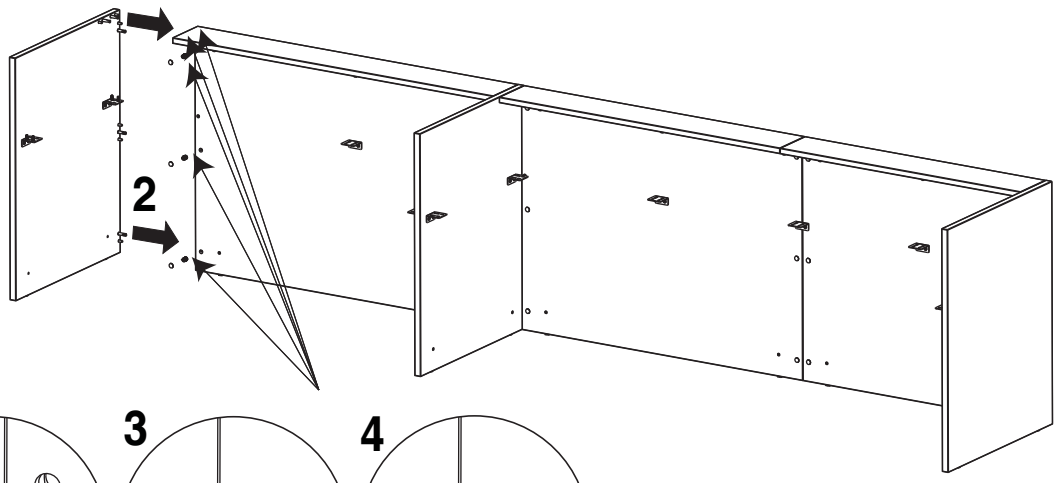


e

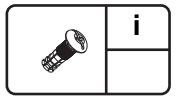
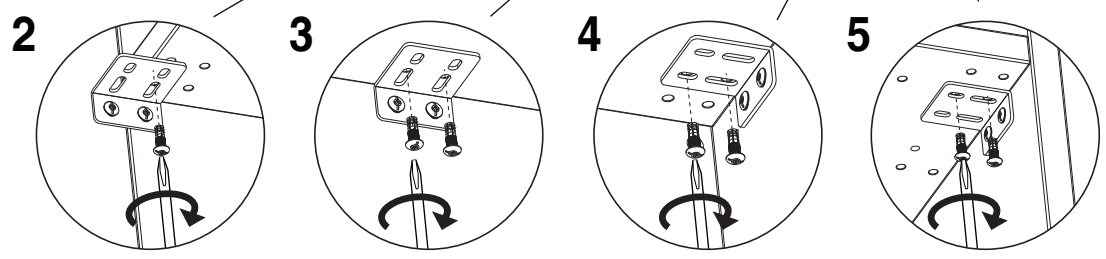
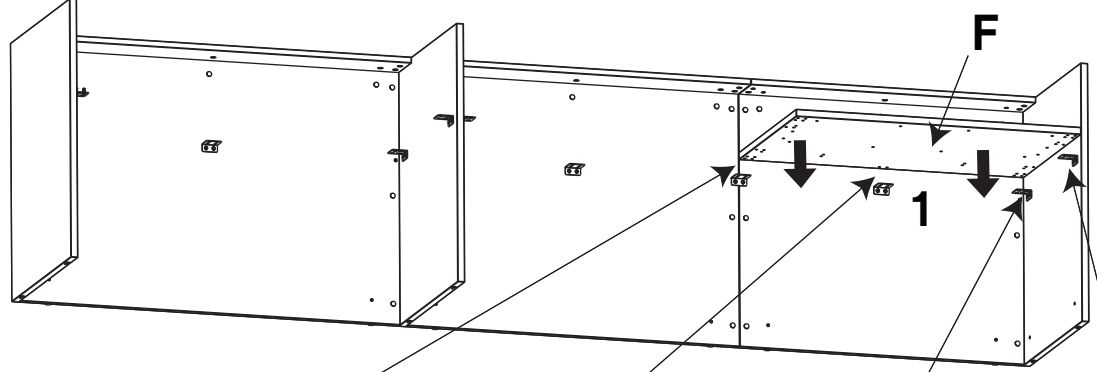


x

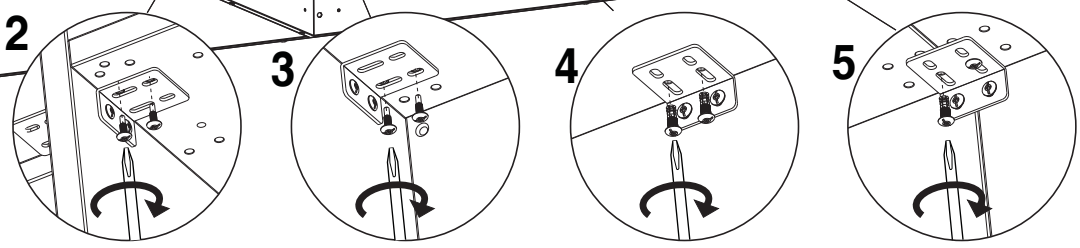
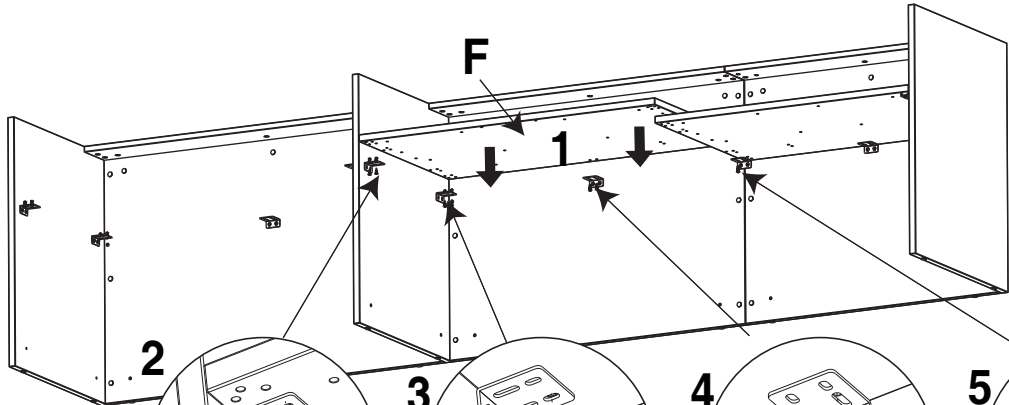
11



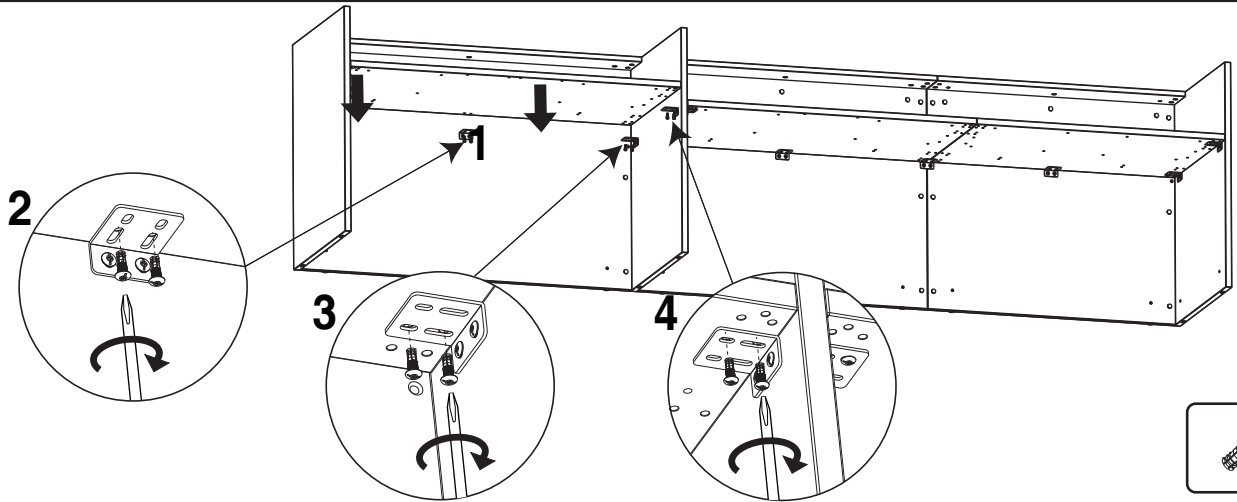
12



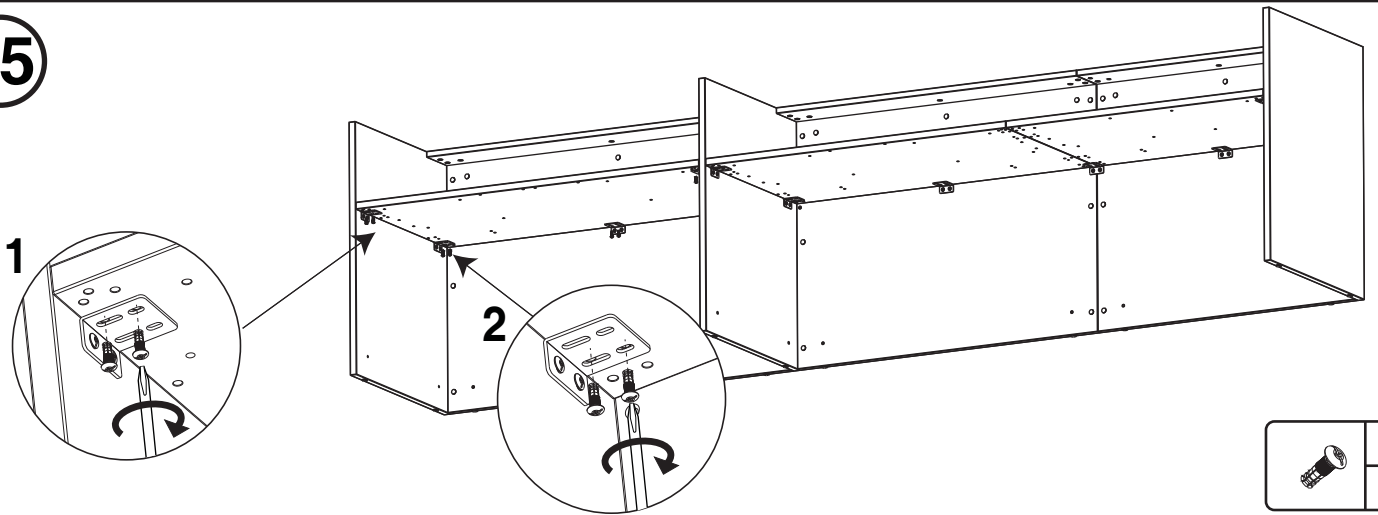
13



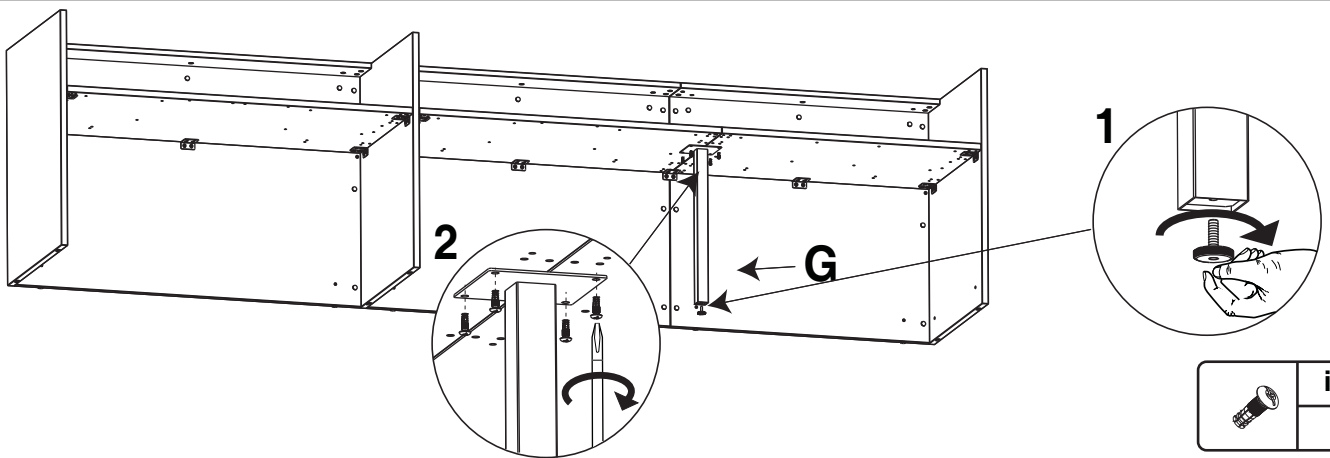
14



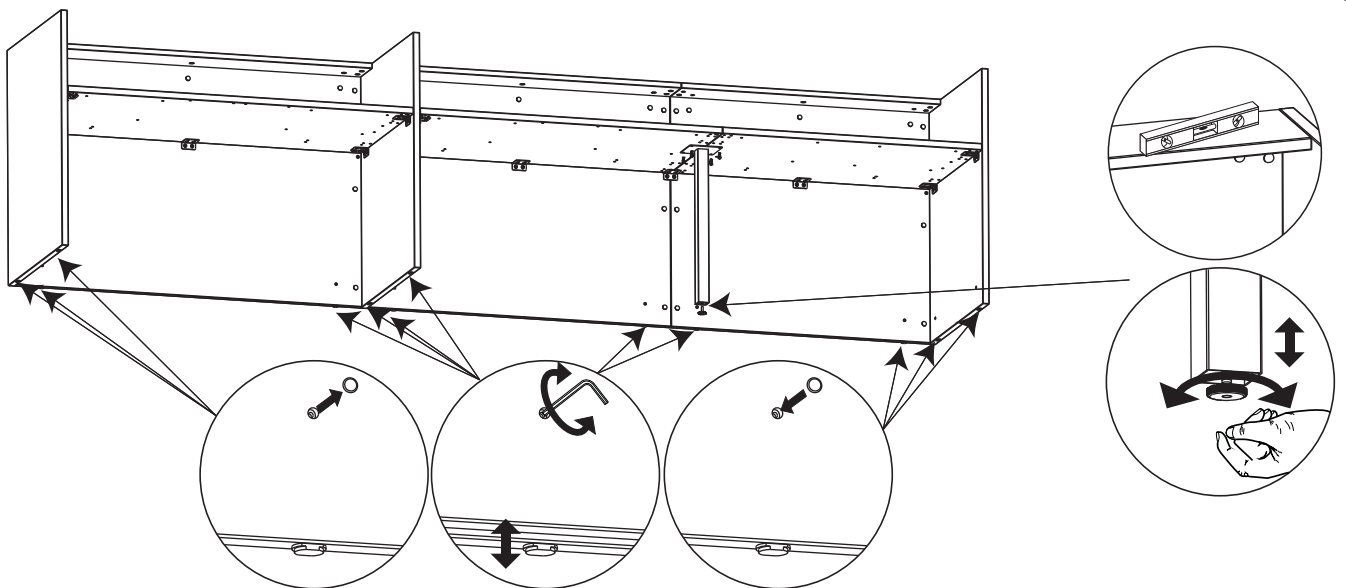
15



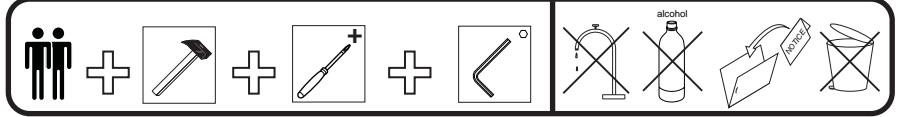
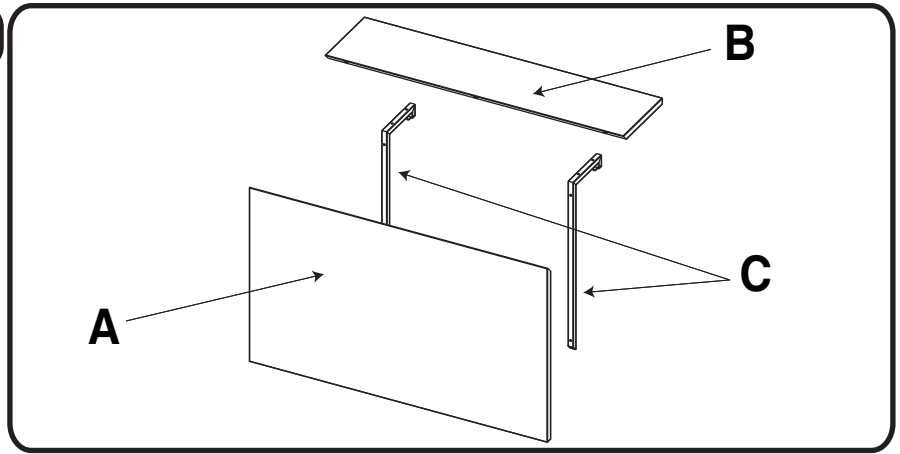
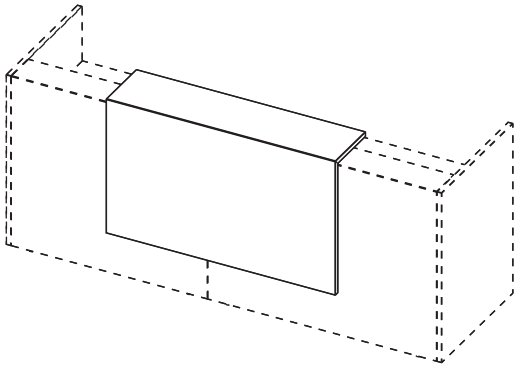
16



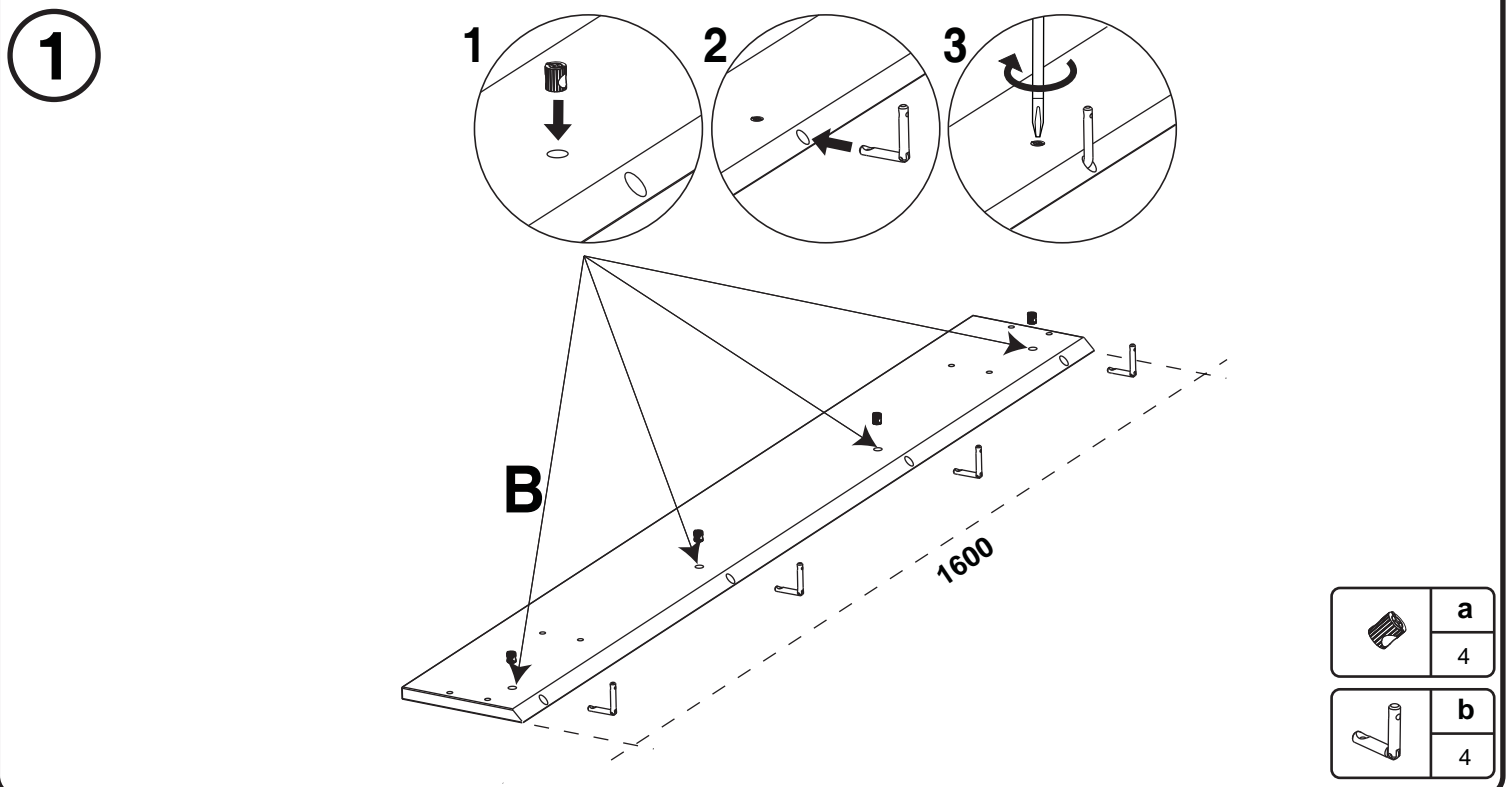
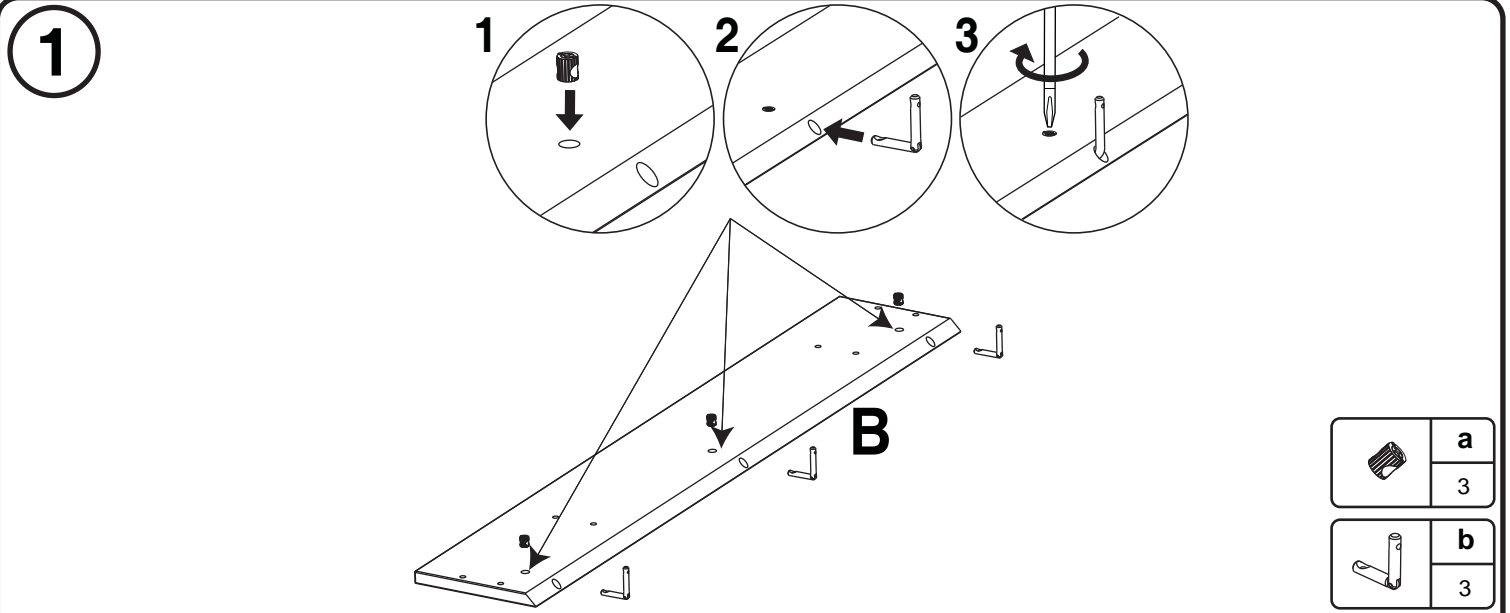
17



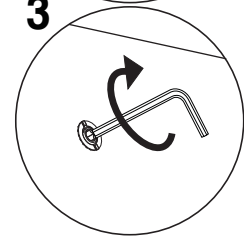
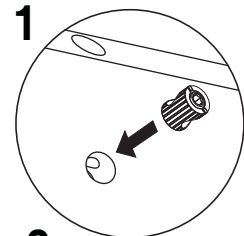
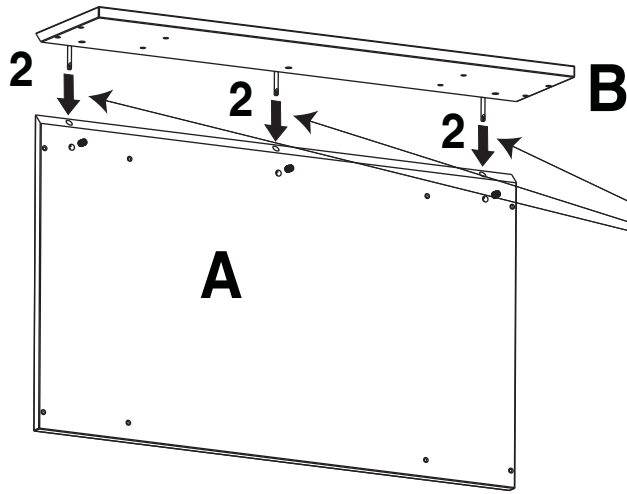
N° 8FI59600



	a		b		c		d		e		f
6	8	3	4	8	2	2	2	2	2	1	1

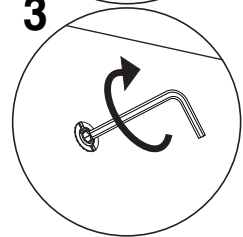
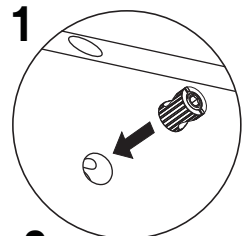
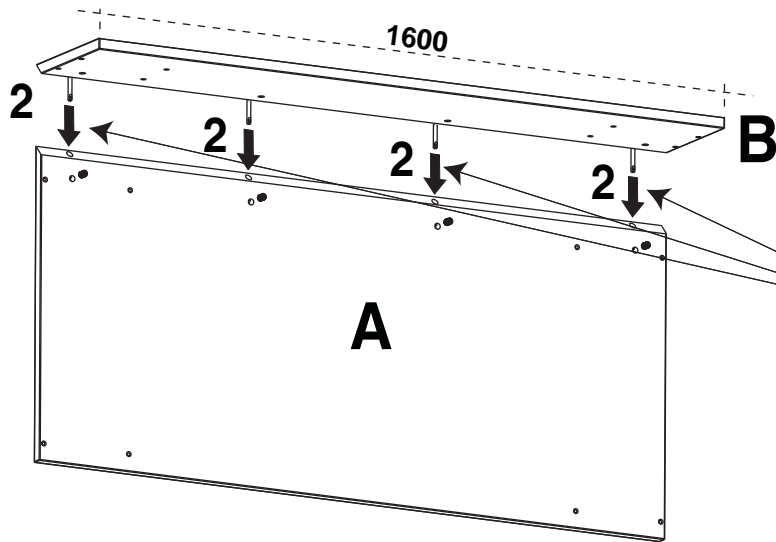



2



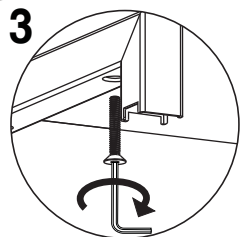
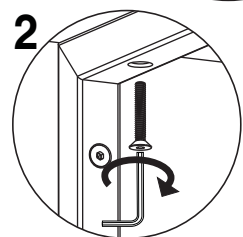
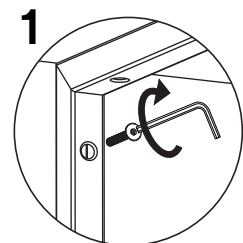
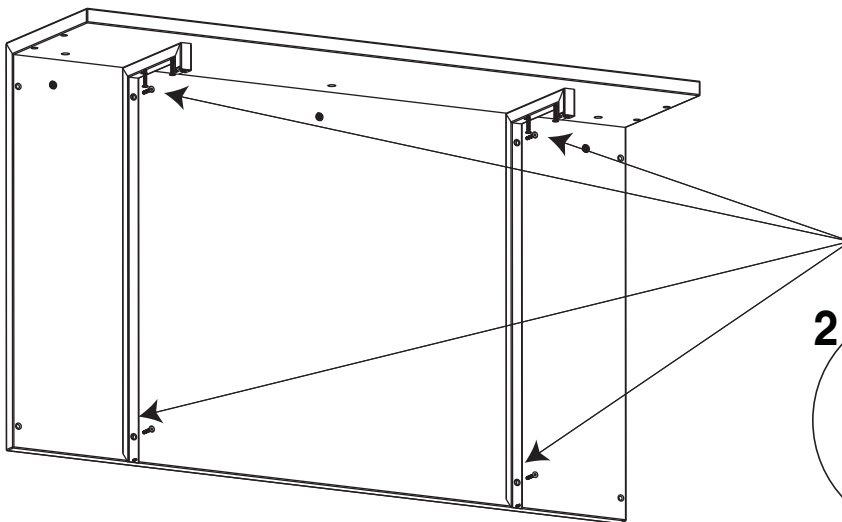
	a
	3


2



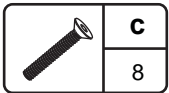
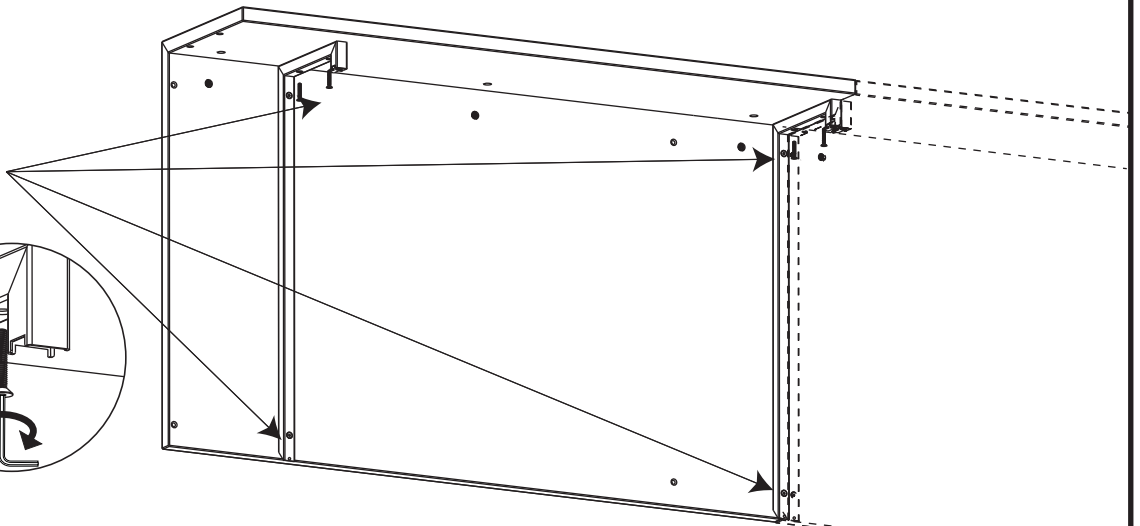
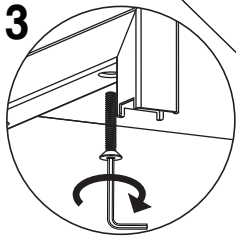
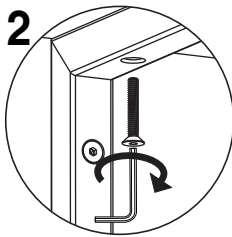
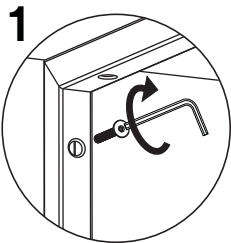
	a
	4

3

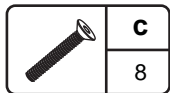
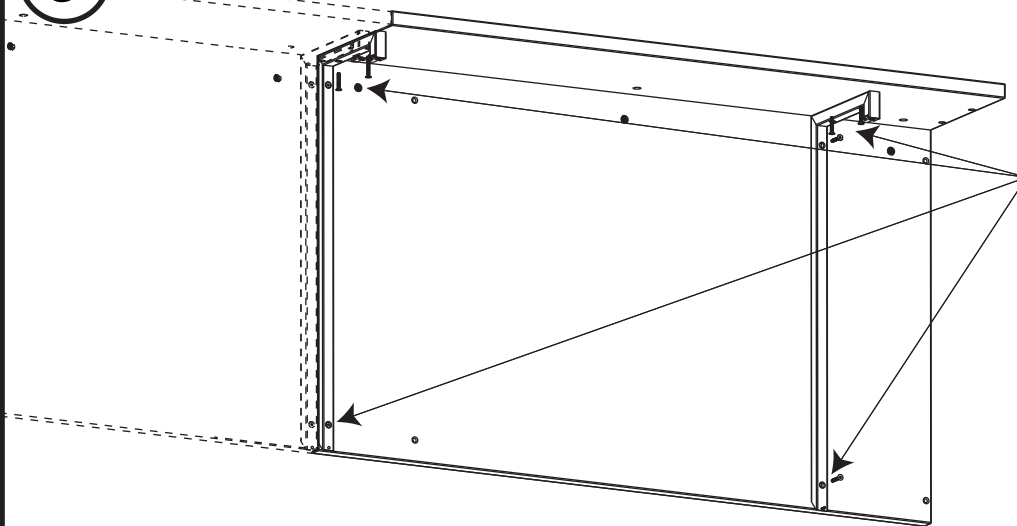
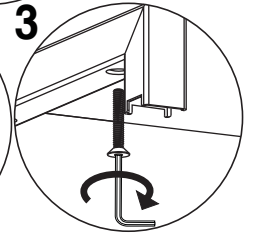
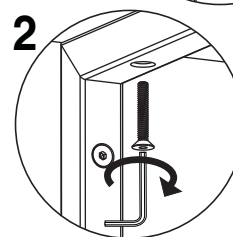
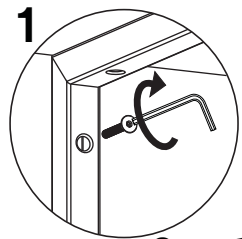


	c
	8

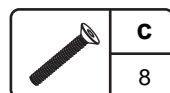
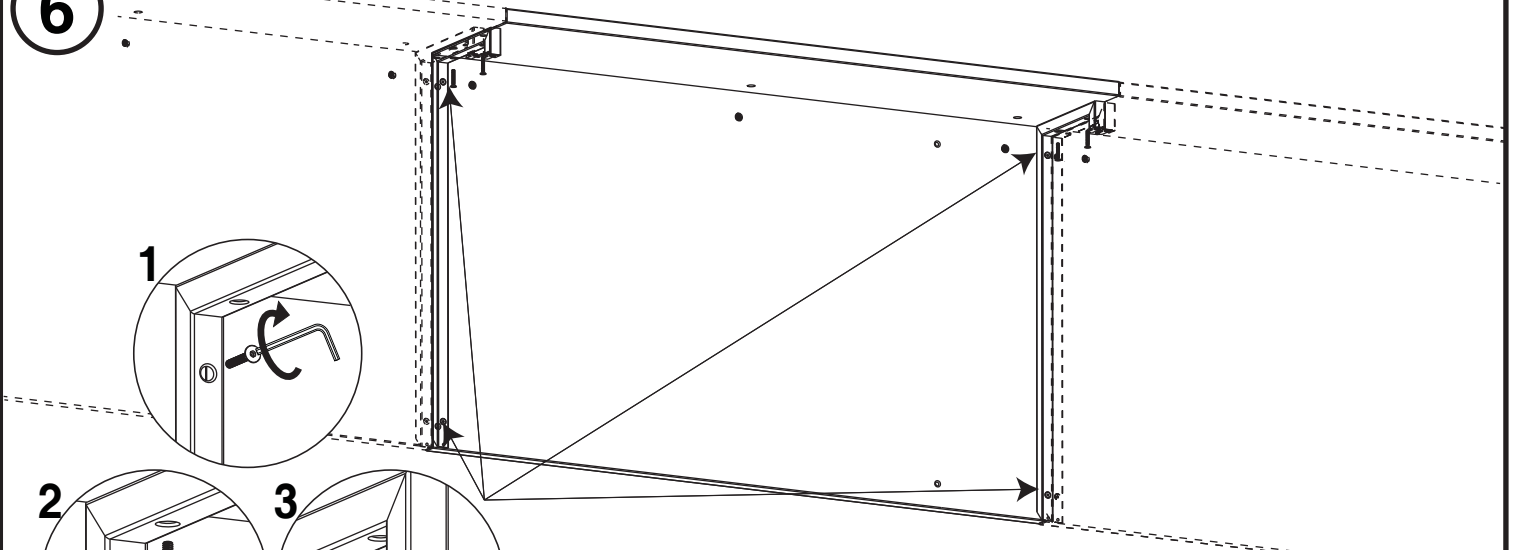
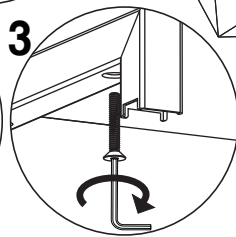
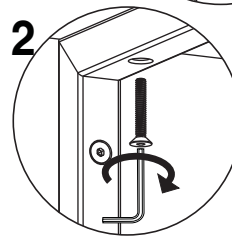
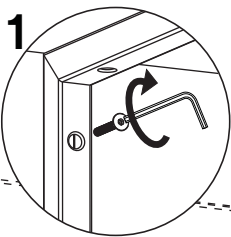
4

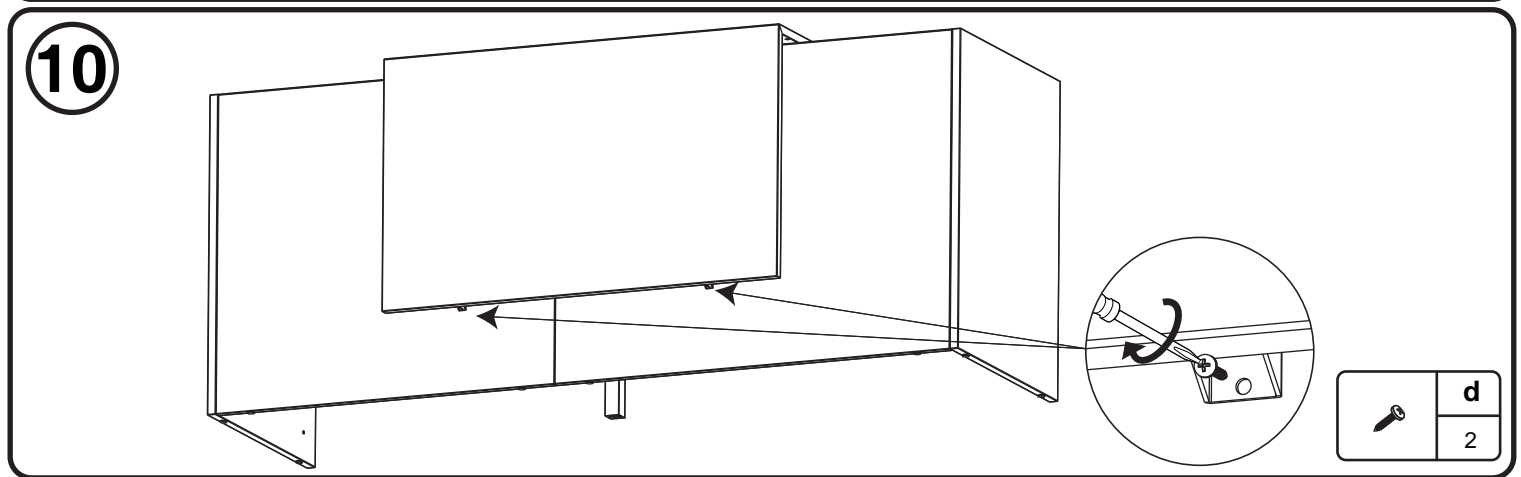
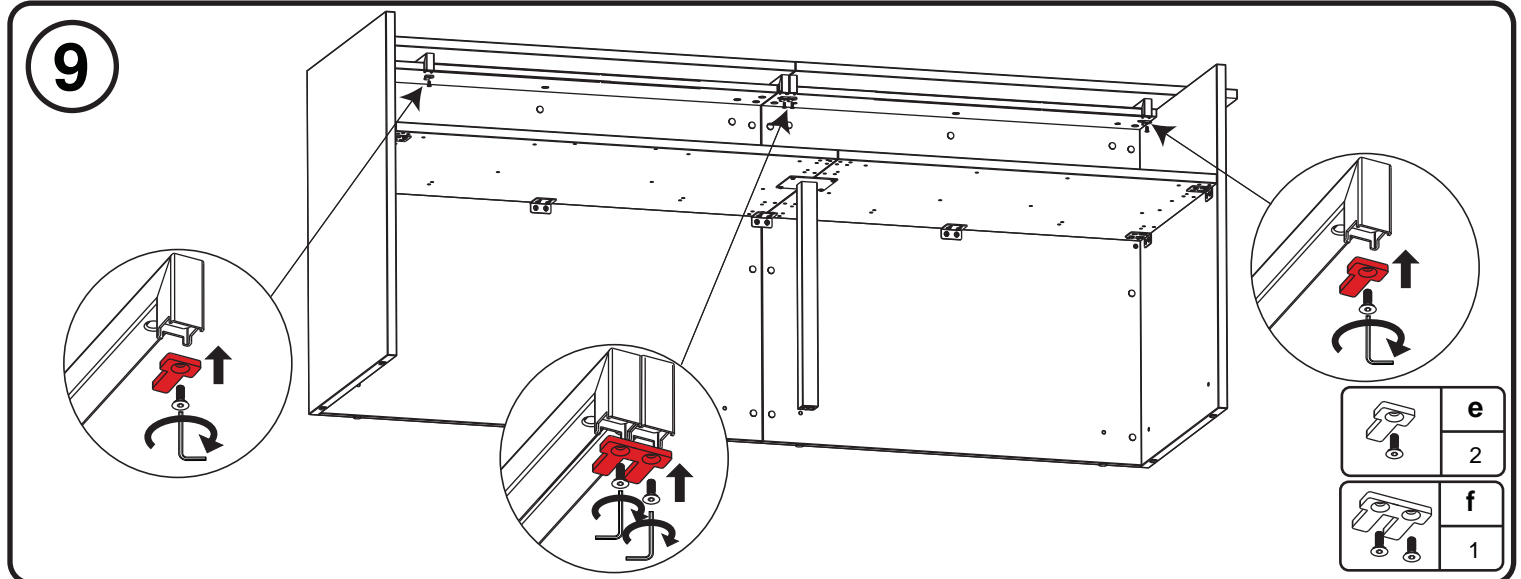
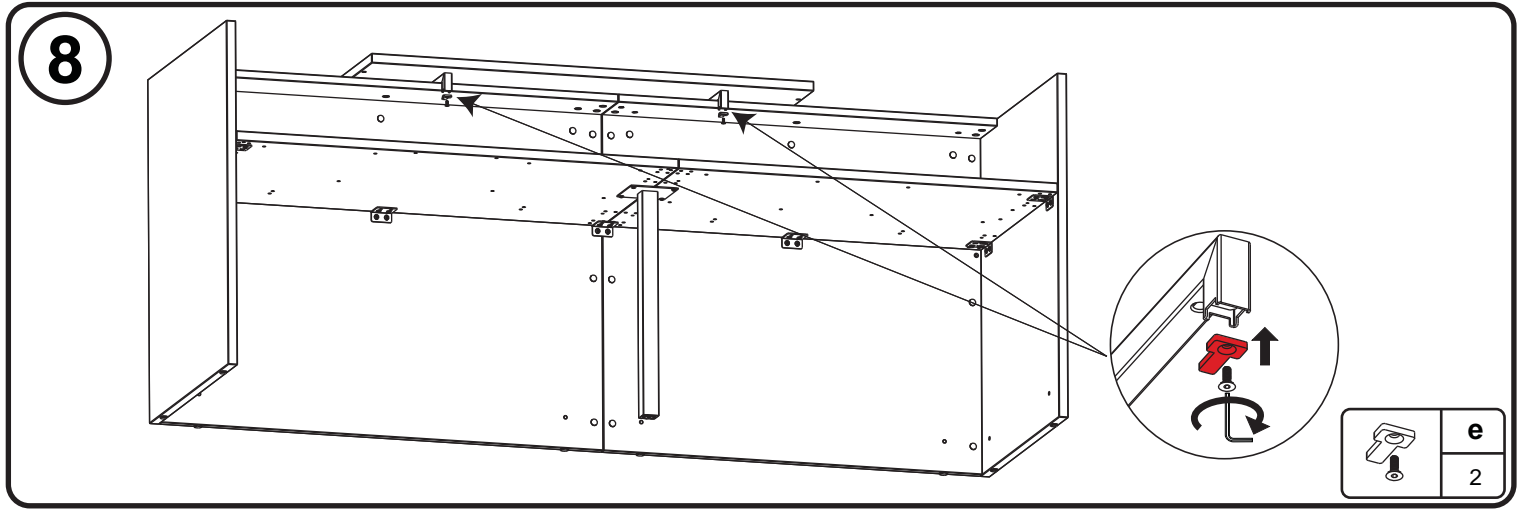
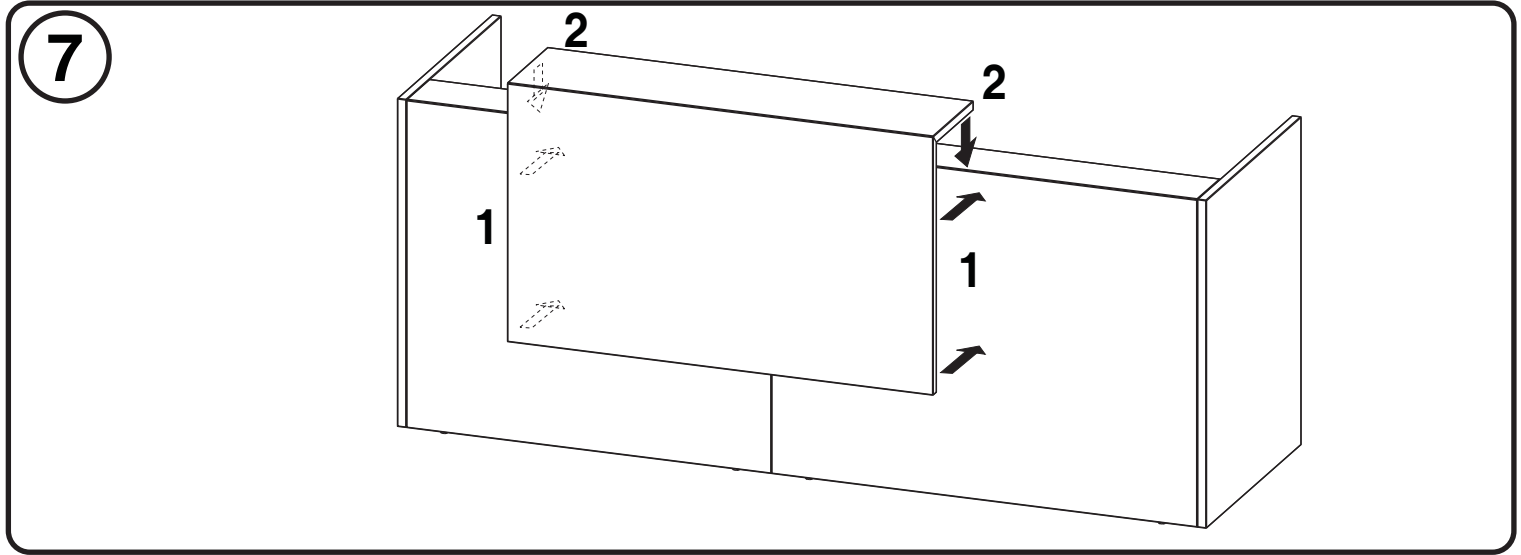


5

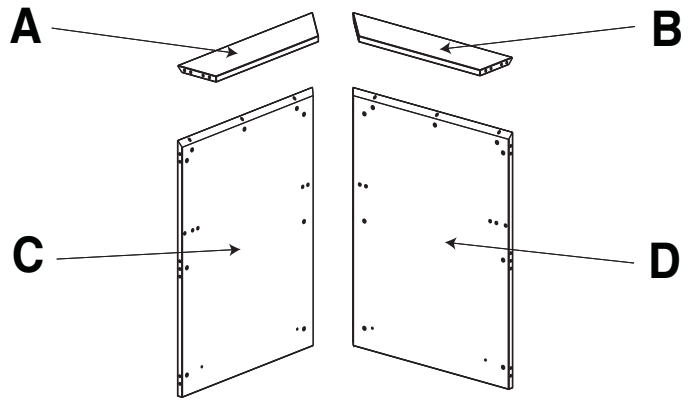
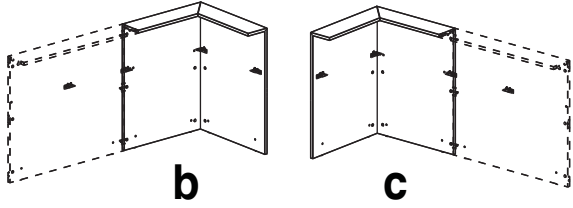
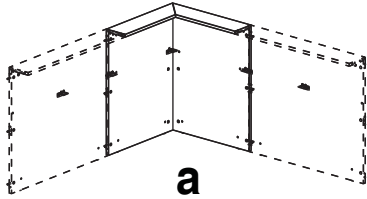


6





N° 8FI59700



	a 4		c 1		d 2		e 32		f 9
	g 4		h 14		x 32		k 8		

1

	a 2
	c 1
	d 2
	h 4
	g 2

2

	a 2
	b 2
	h 4

3

c

	a
	2

	b
	2

	c
	2

	d
	4

4

a **b**

	e
	3

	k
	3

	x
	3

5

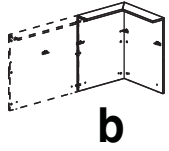
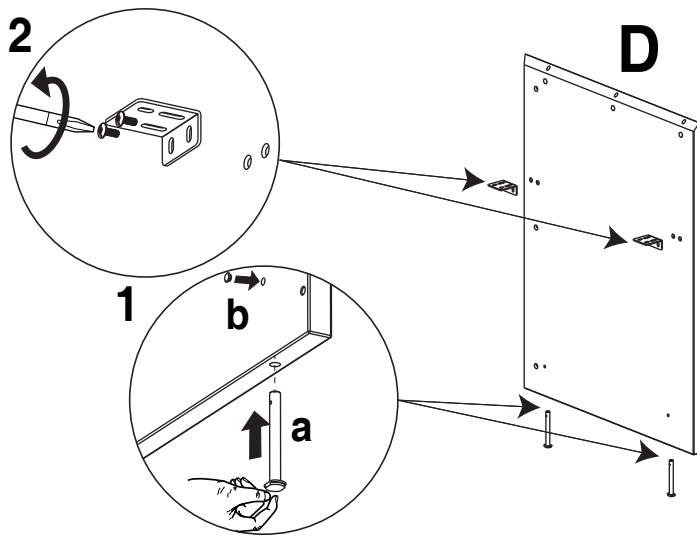
a **c**

	a
	2

	h
	4

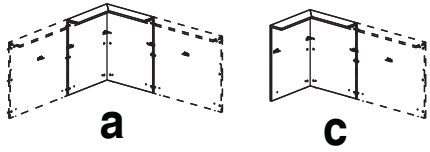
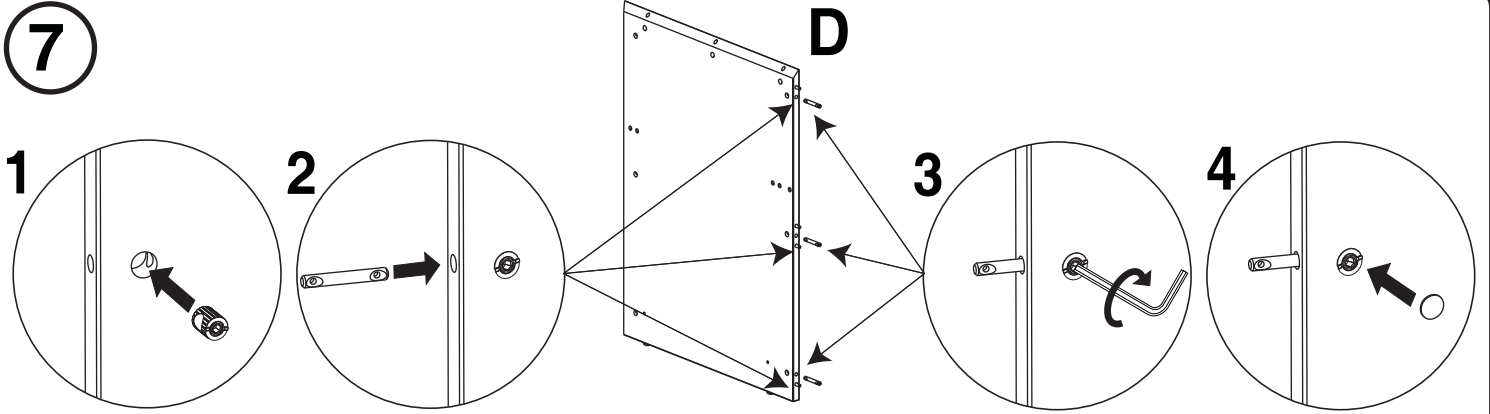
	g
	2

6



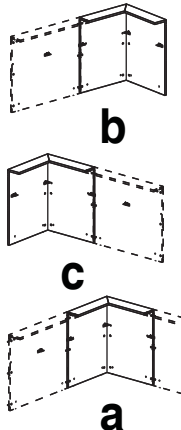
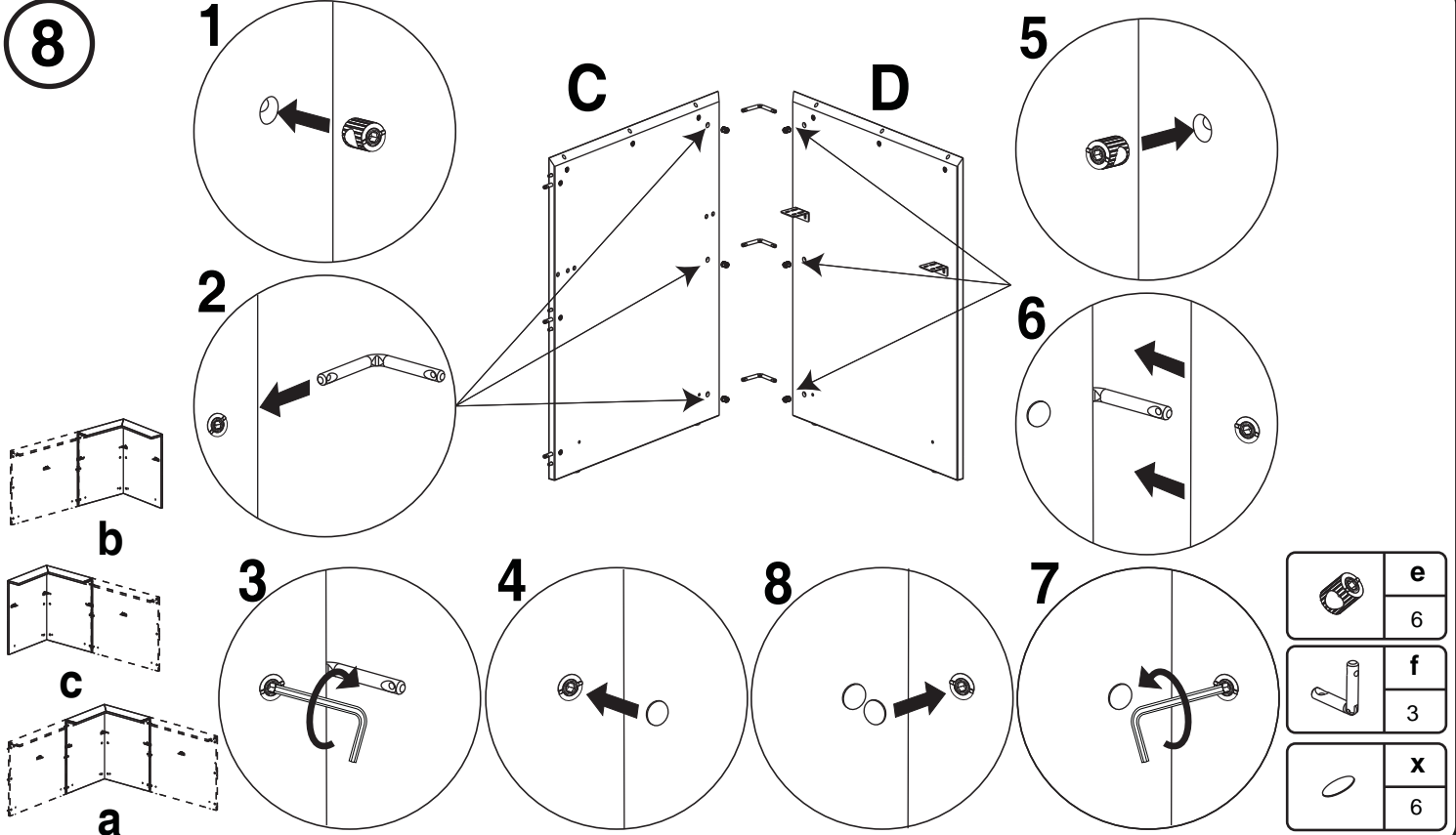
	a
	2
	b
	2
	c
	2
	d
	4

7



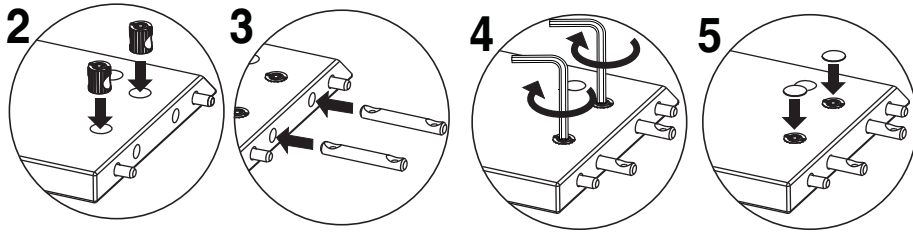
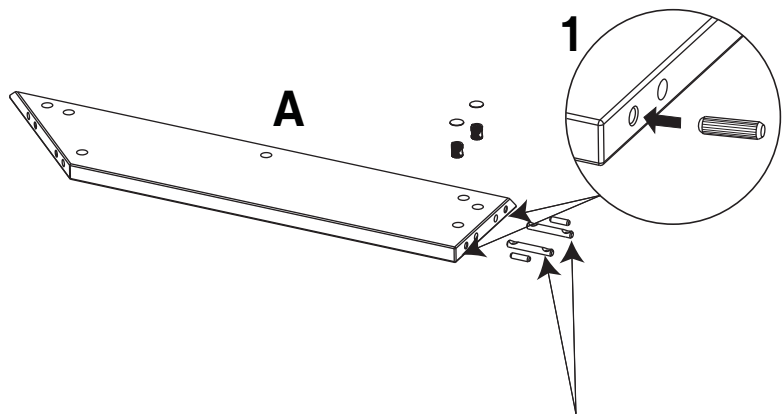
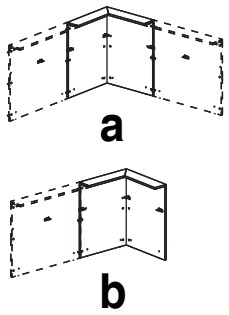
	e
	3
	k
	3
	x
	3

8



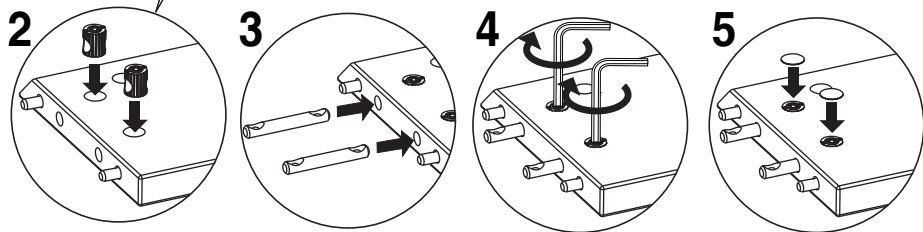
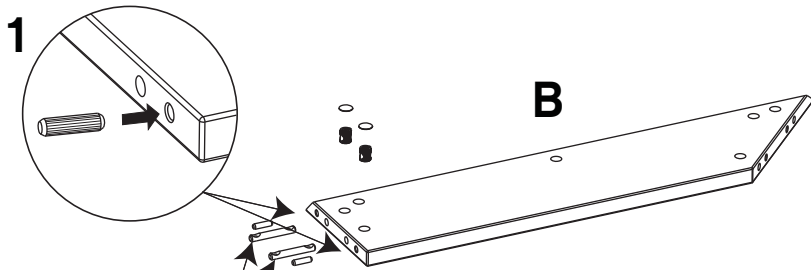
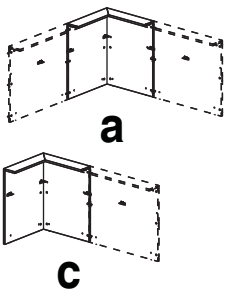
	e
	6
	f
	3
	x
	6

9



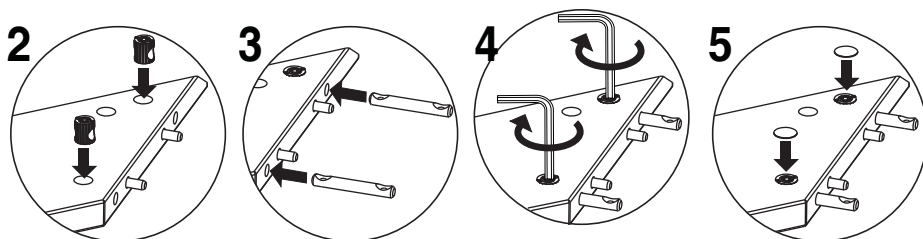
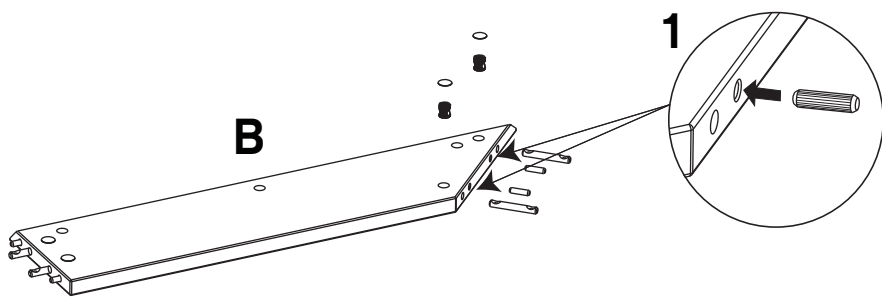
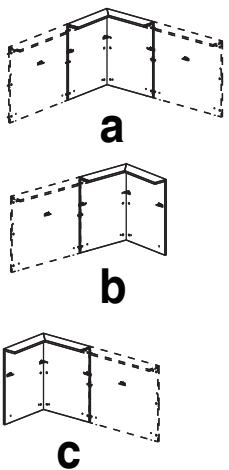
	h
	2
	e
	2
	k
	2
	x
	2

10



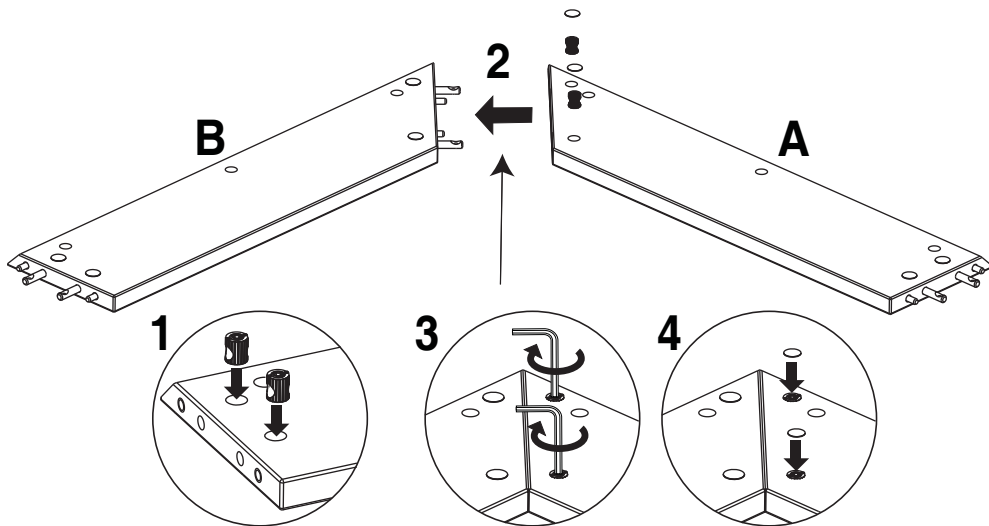
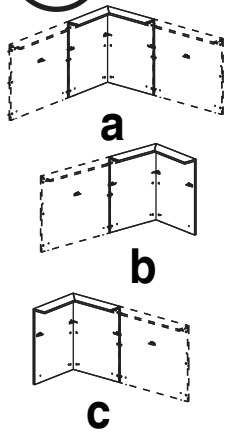
	h
	2
	e
	2
	k
	2
	x
	2

11



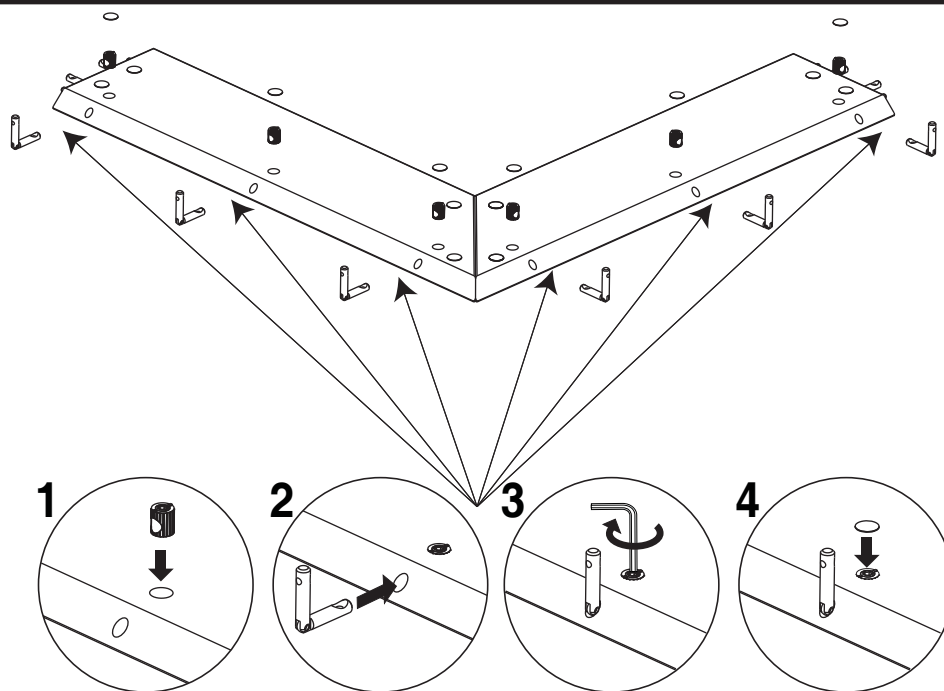
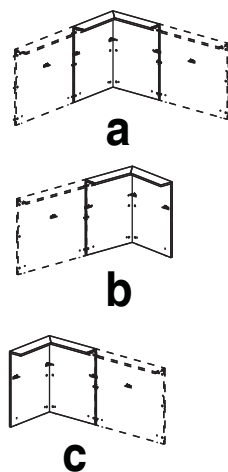
	h
	2
	e
	2
	k
	2
	x
	2

12



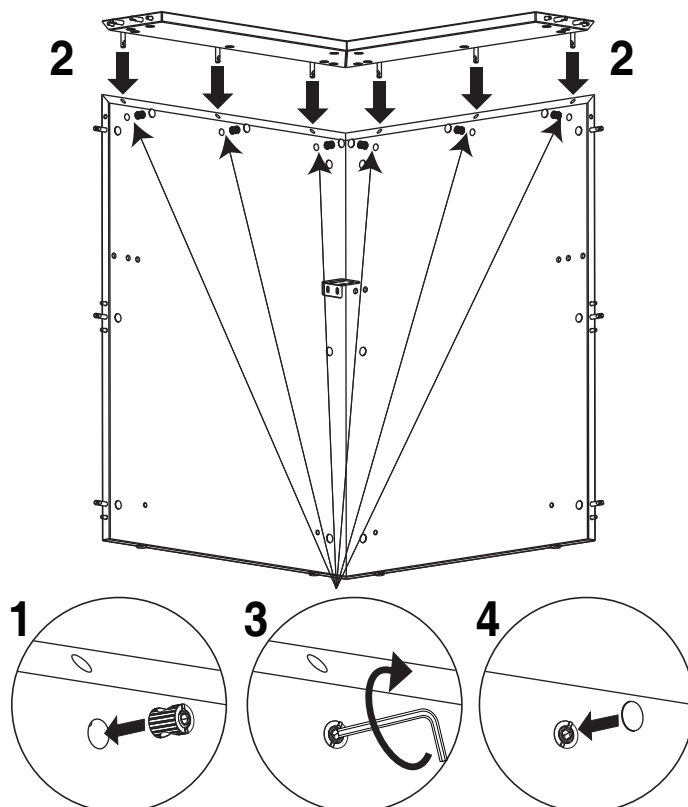
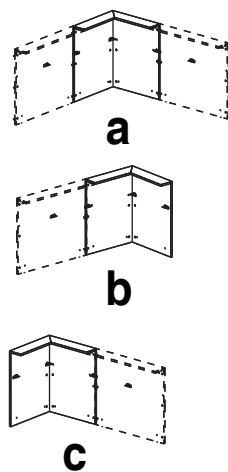
	e
	2
	x
	2

13



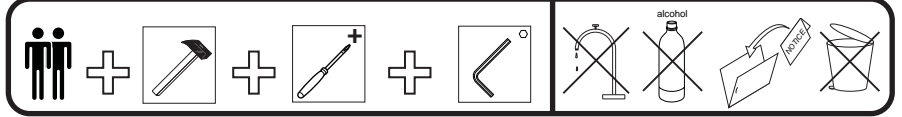
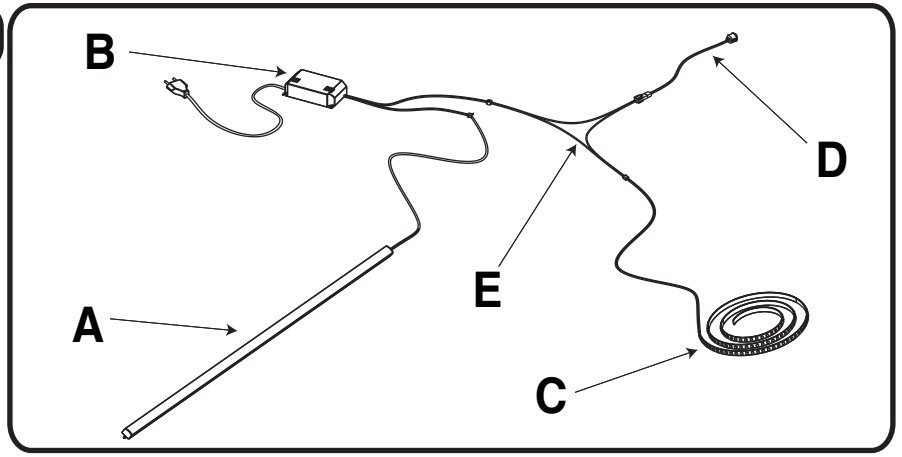
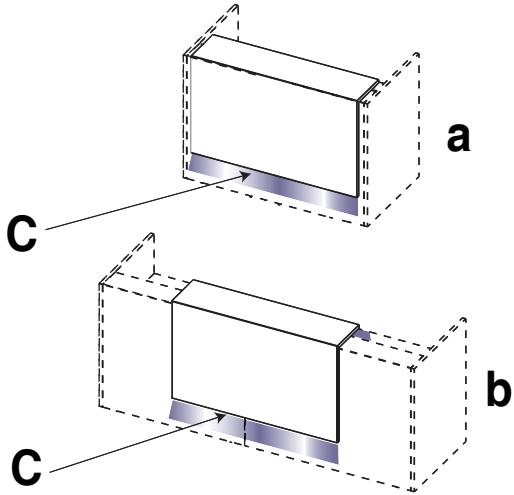
	e
	6
	f
	6
	x
	6

14

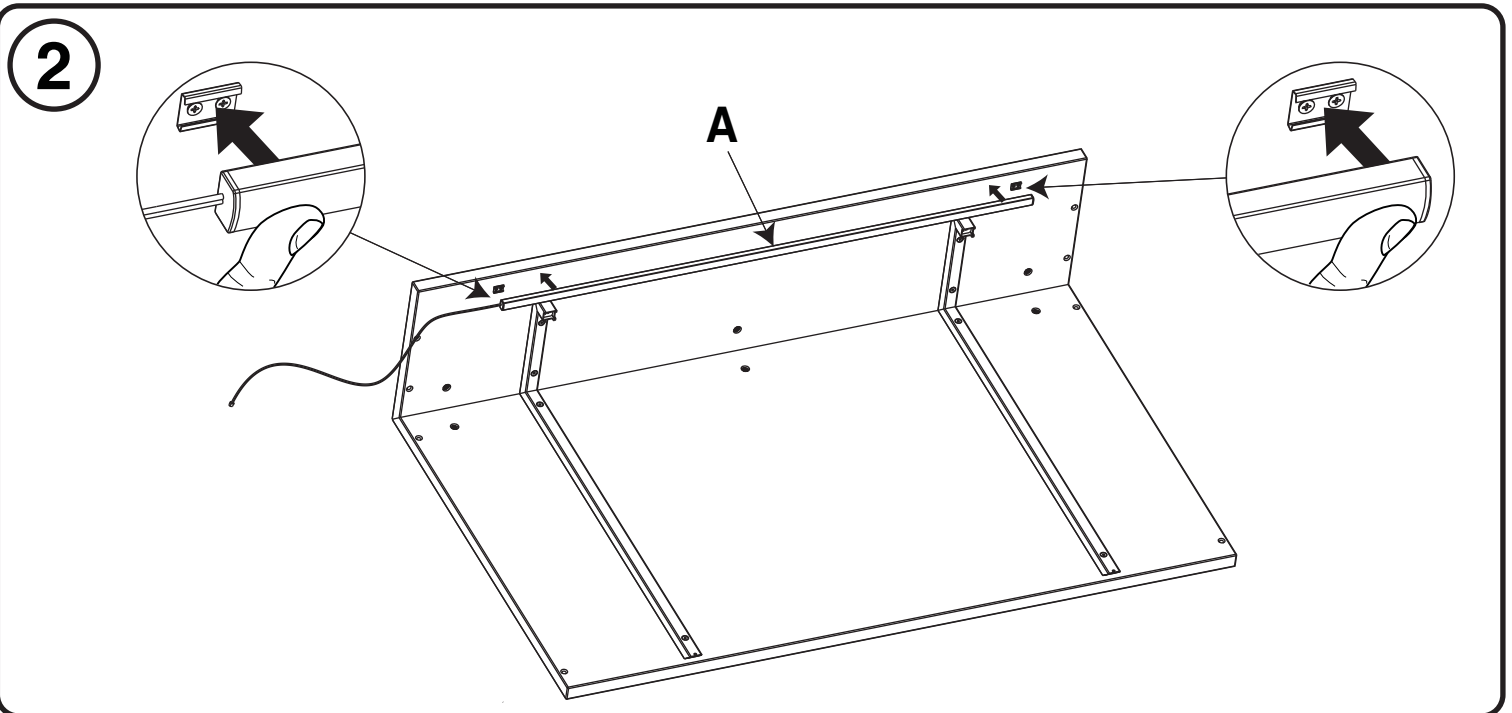
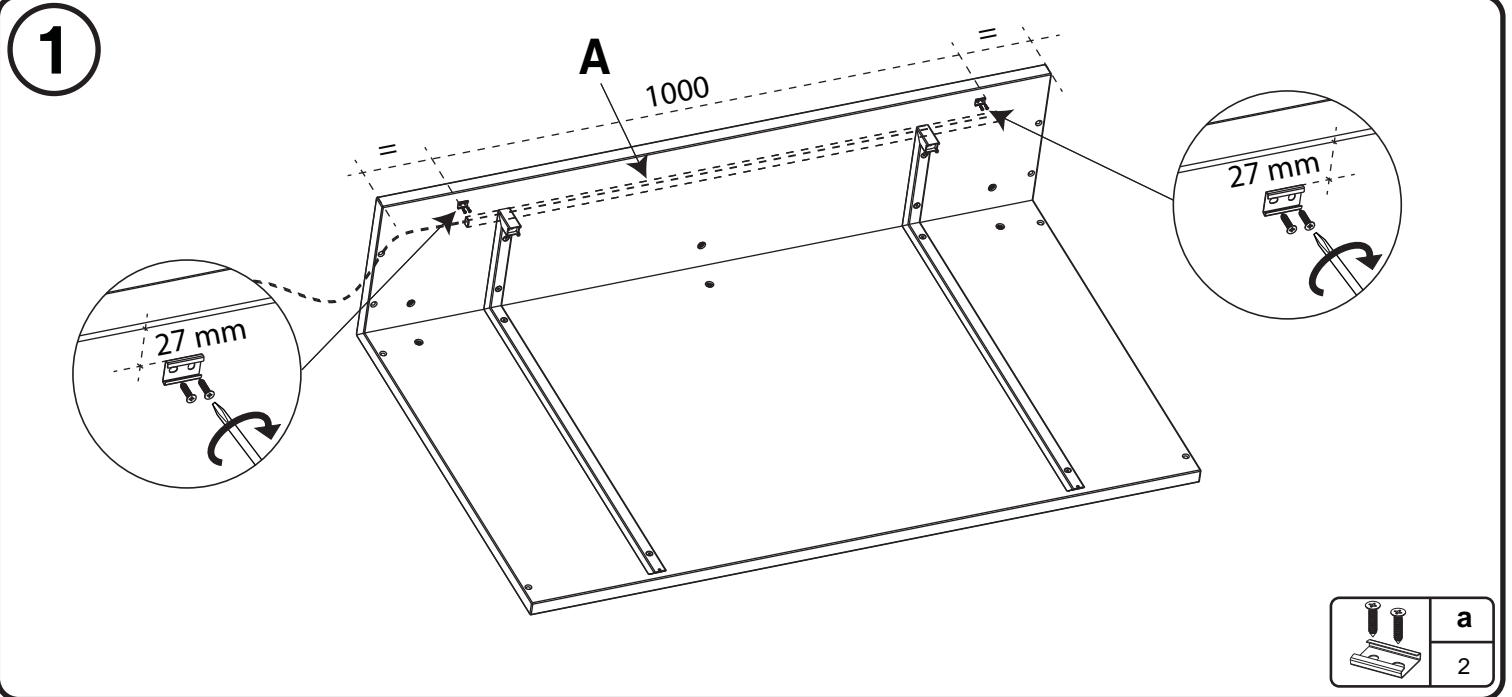


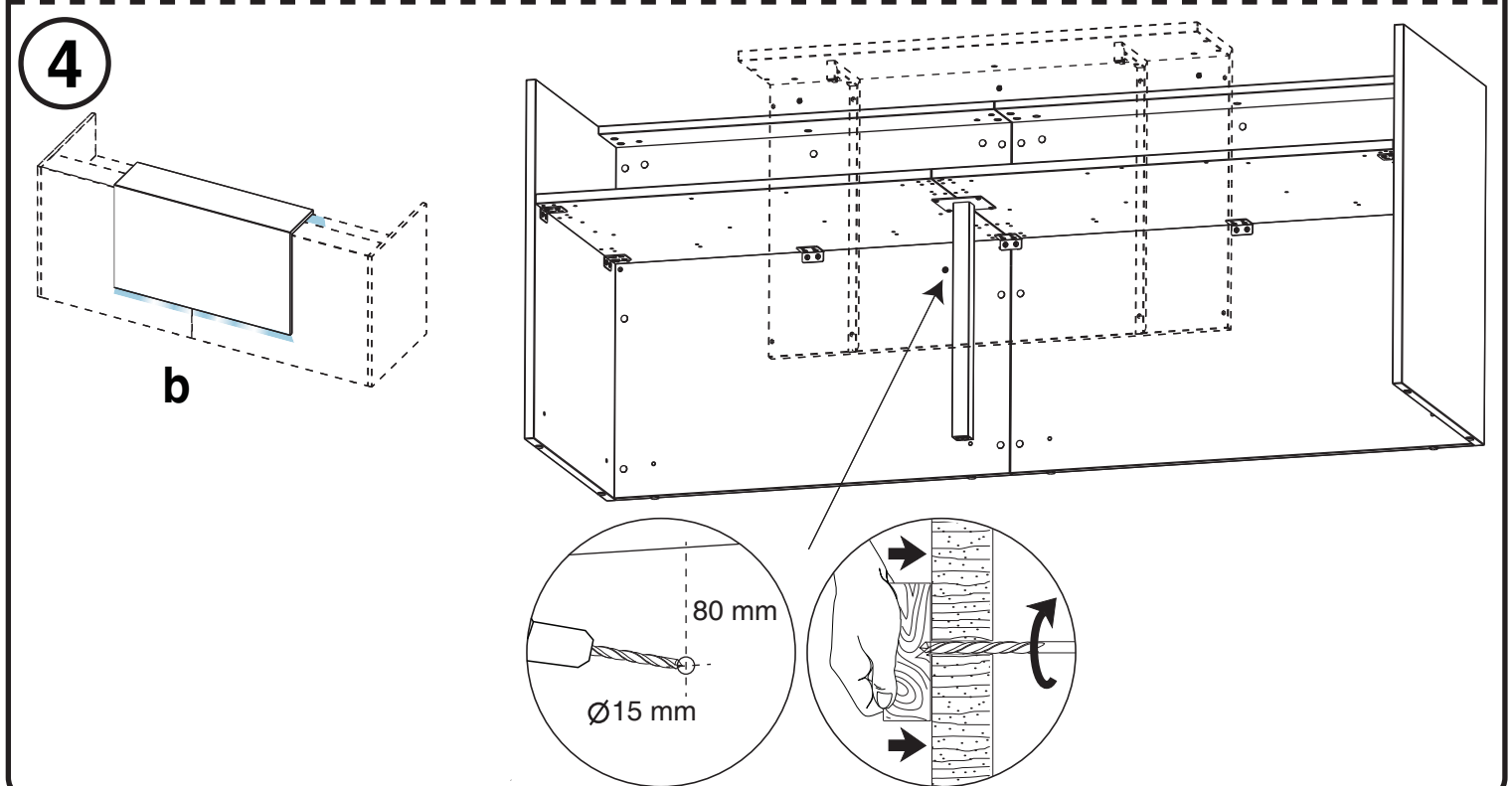
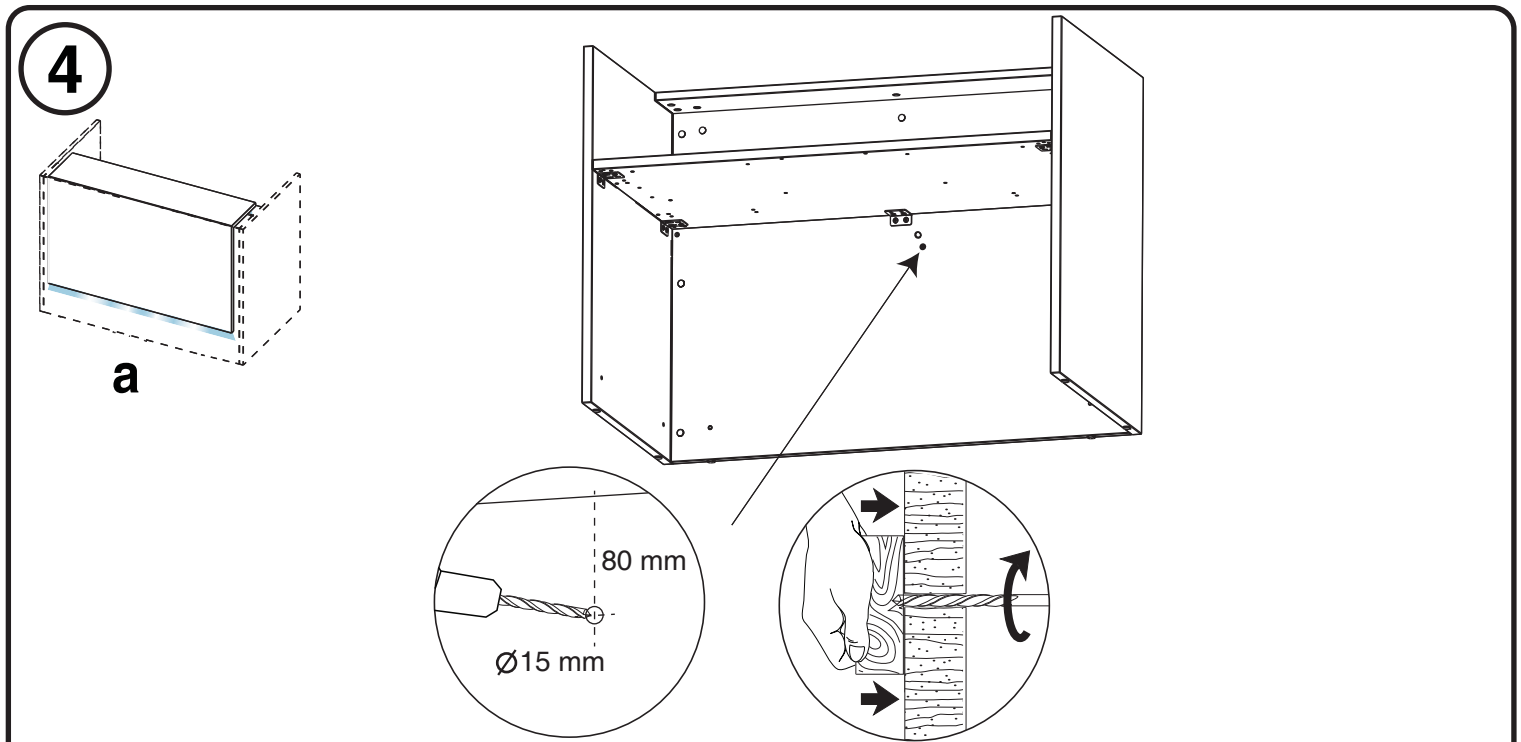
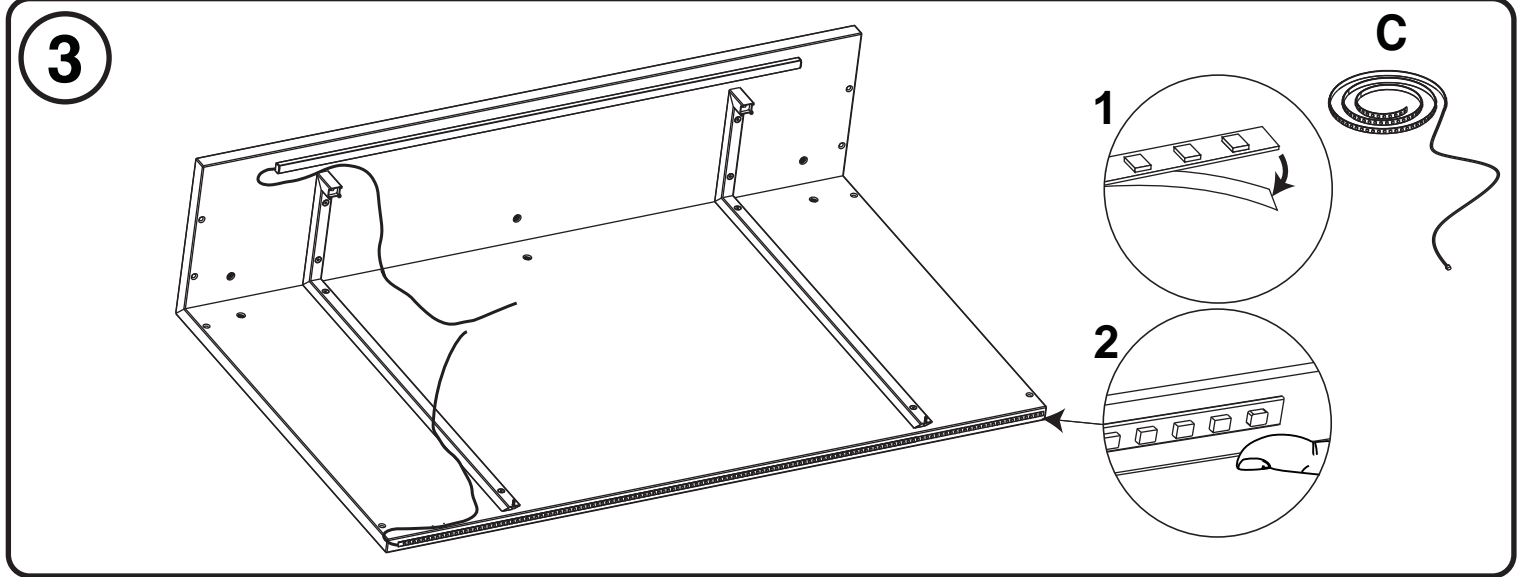
	e
	6
	x
	6

N° 8FI60400

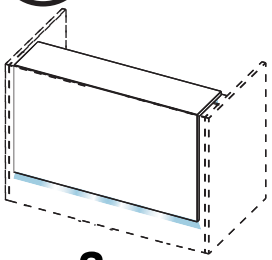


	a		b		c		d
	2		1		5		1

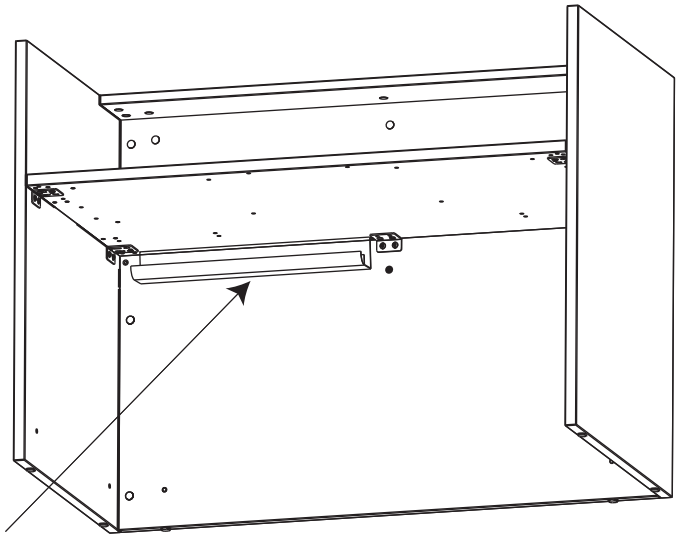
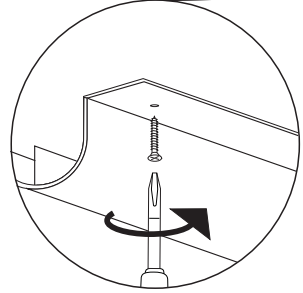
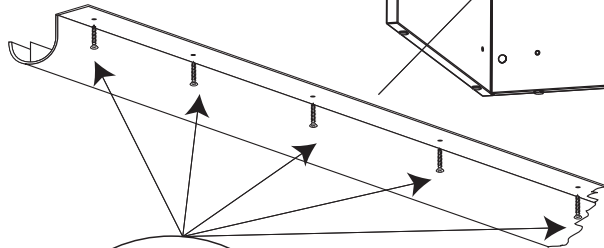





5



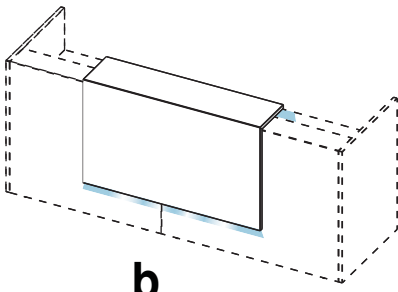
a



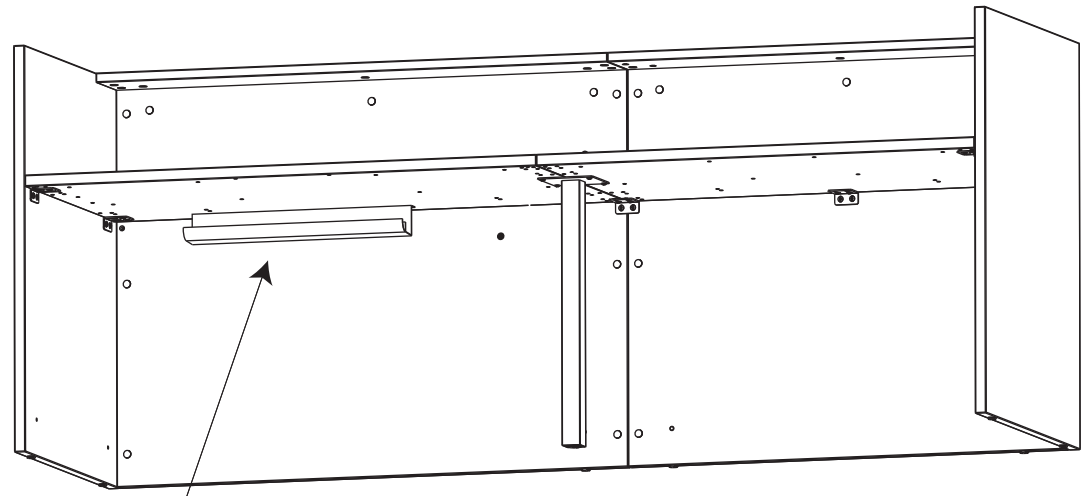
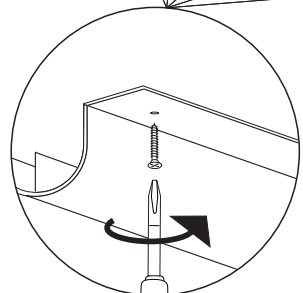
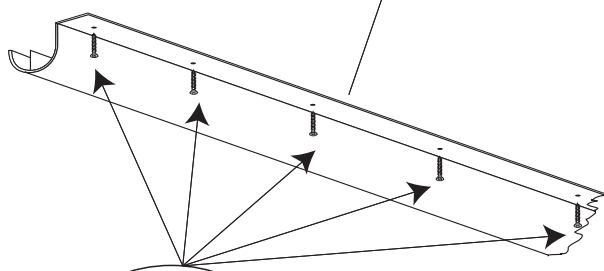
	c
	5


	b
	1


5



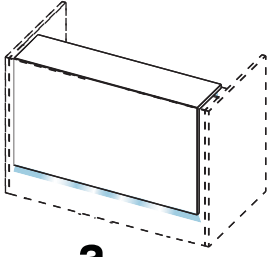
b



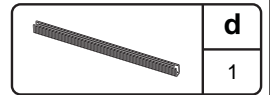
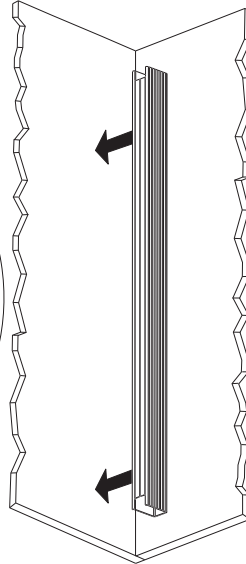
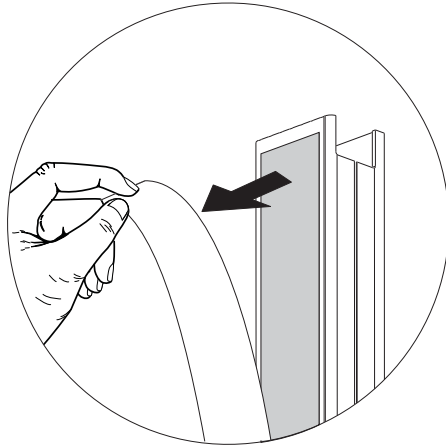
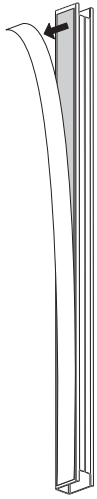
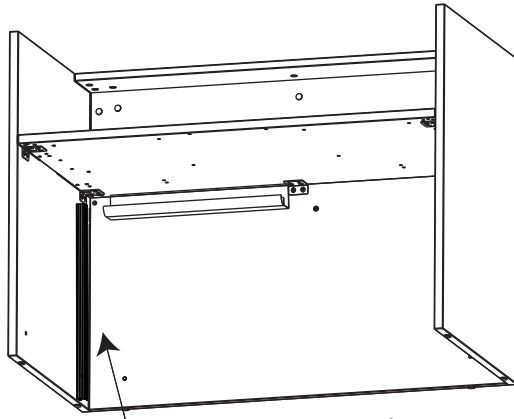
	c
	5

	b
	1

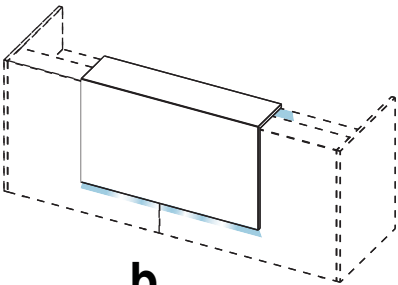
6



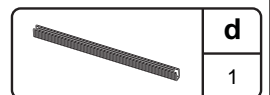
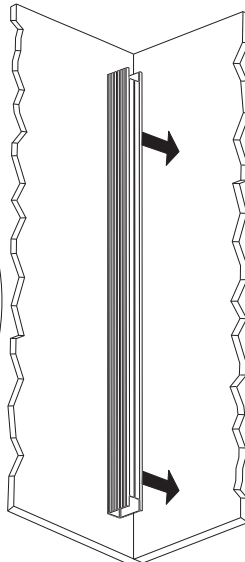
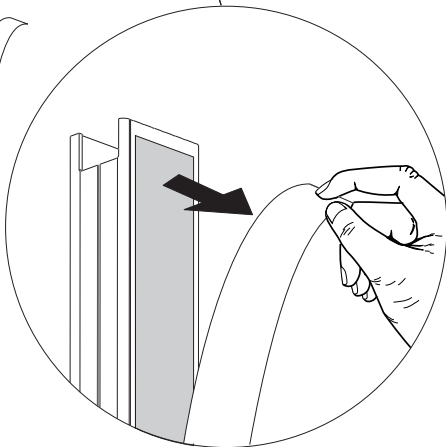
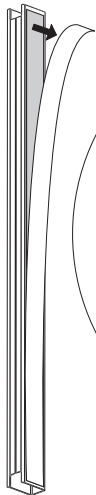
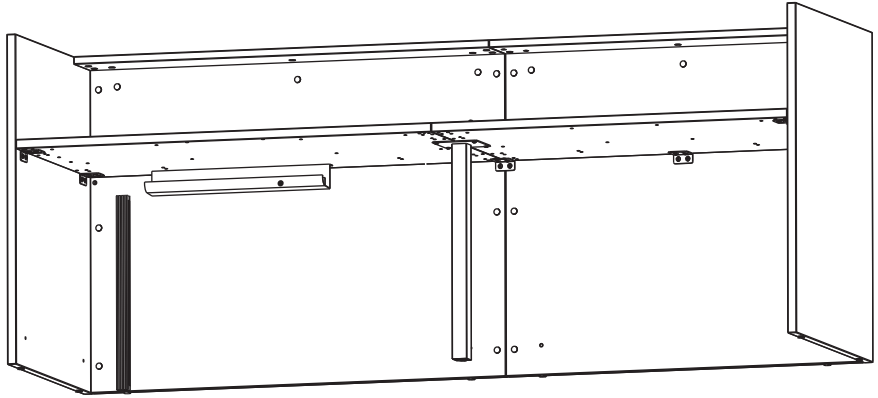
a



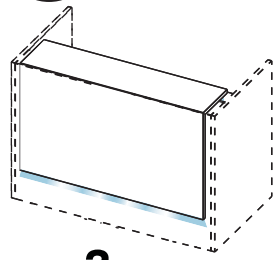
6



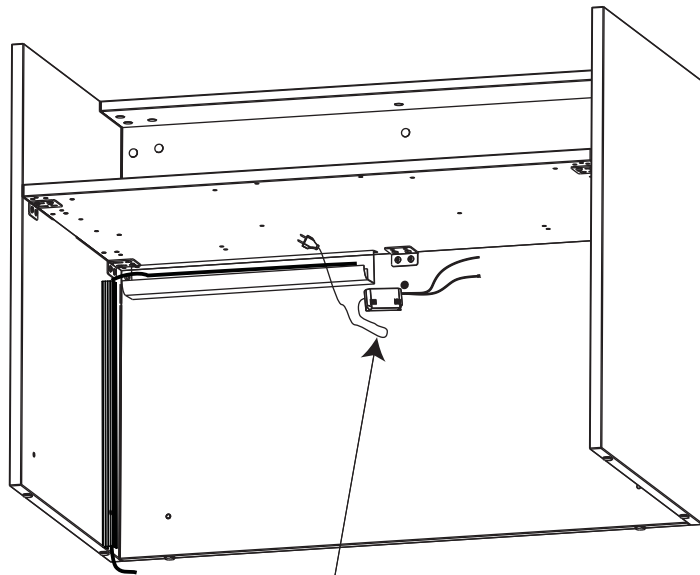
b



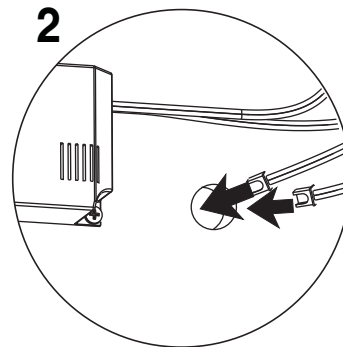
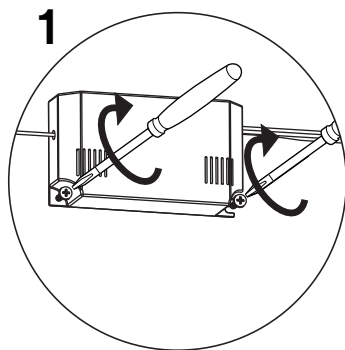
7



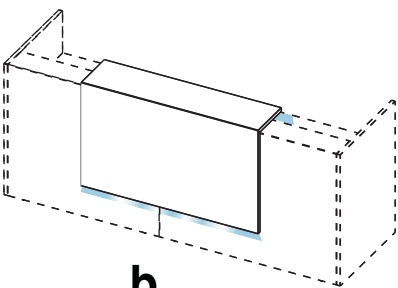
a



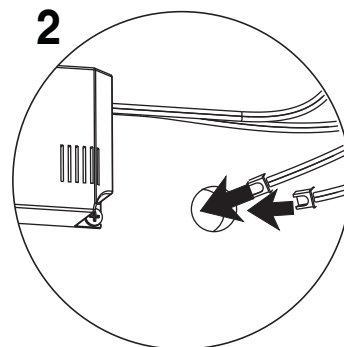
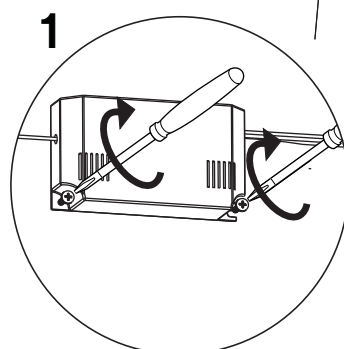
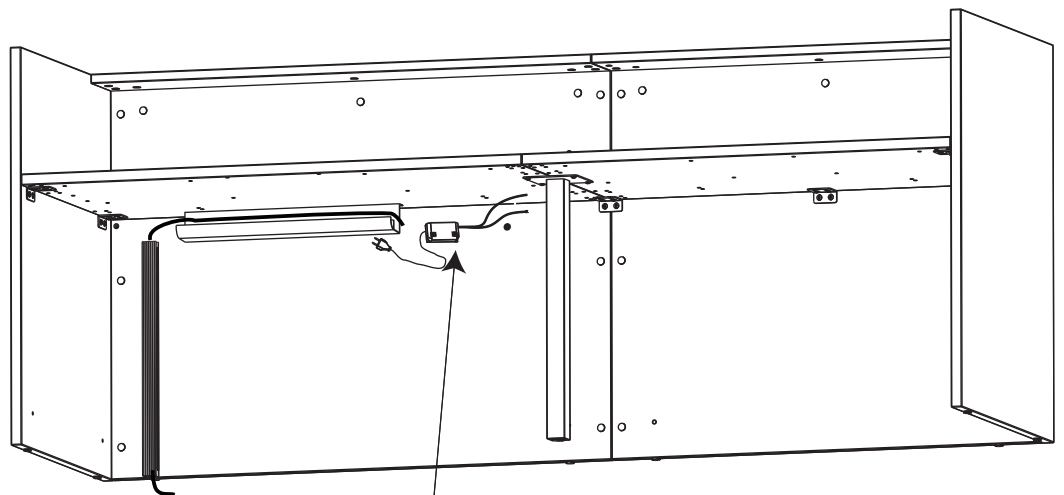
B



7

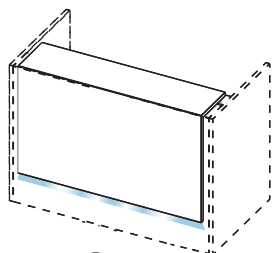


b

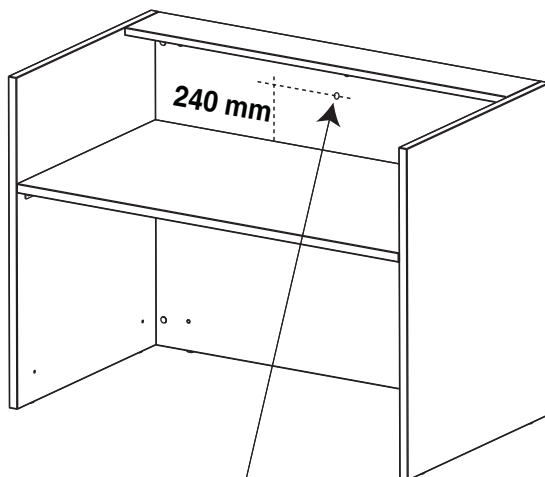


8

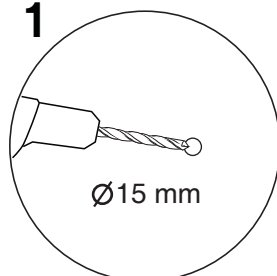
D



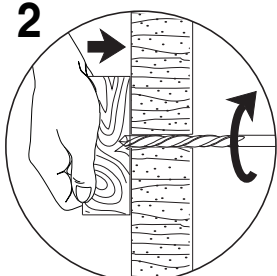
a



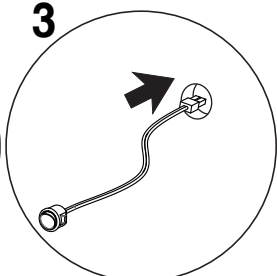
1



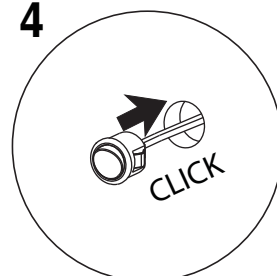
2



3

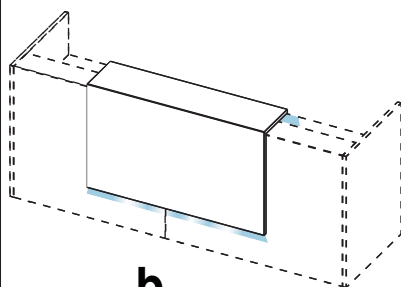


4

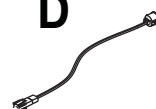
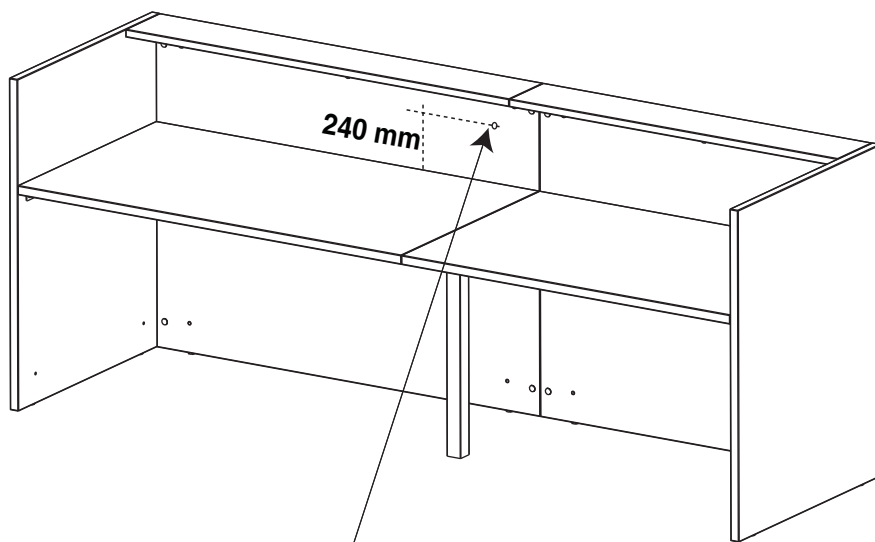


8

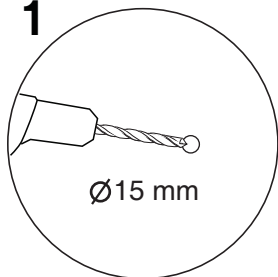
D



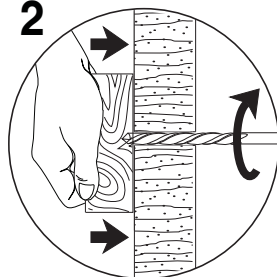
b



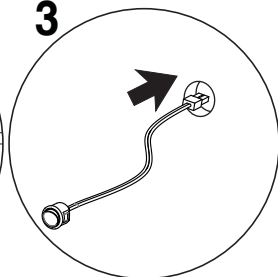
1



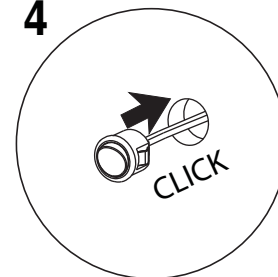
2



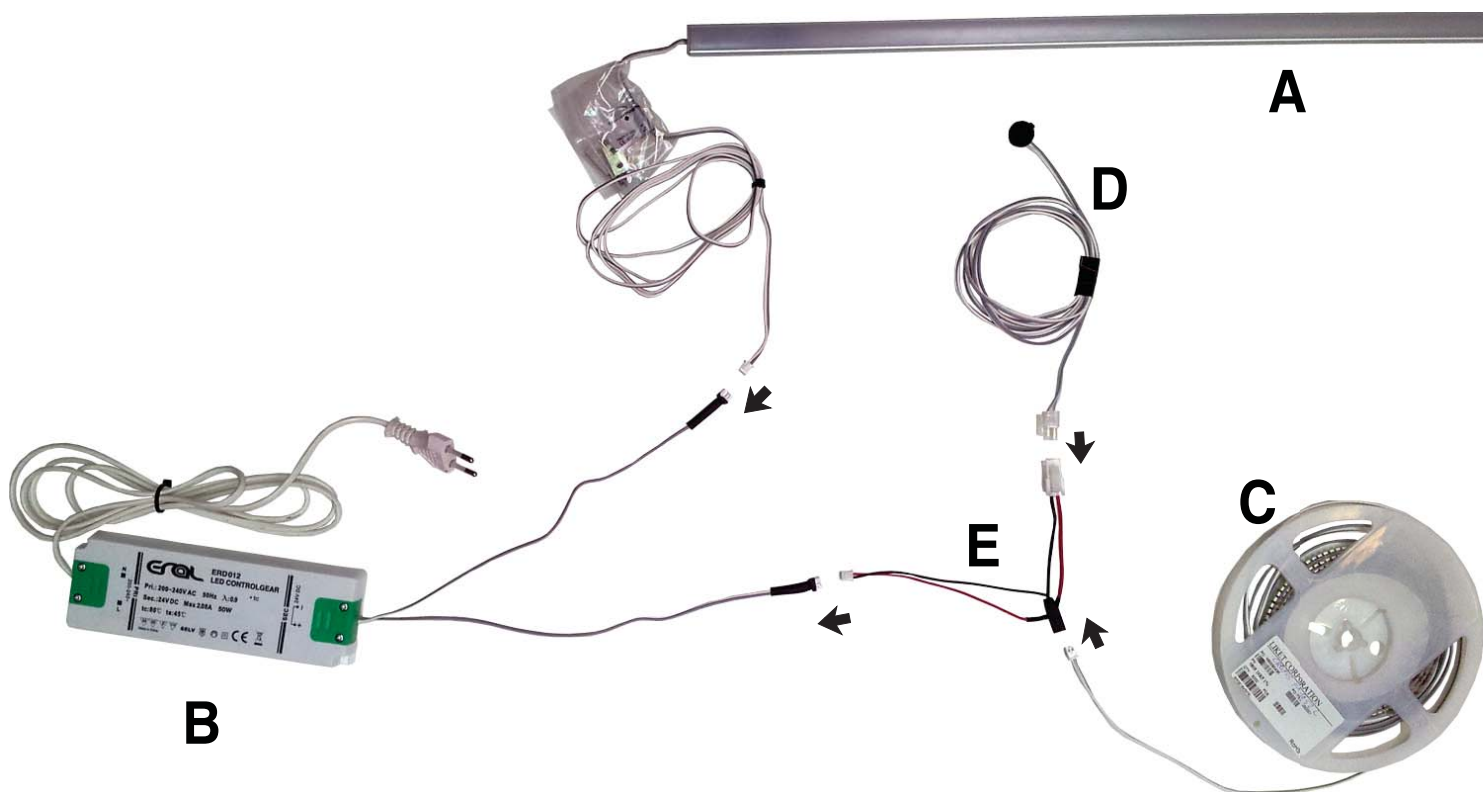
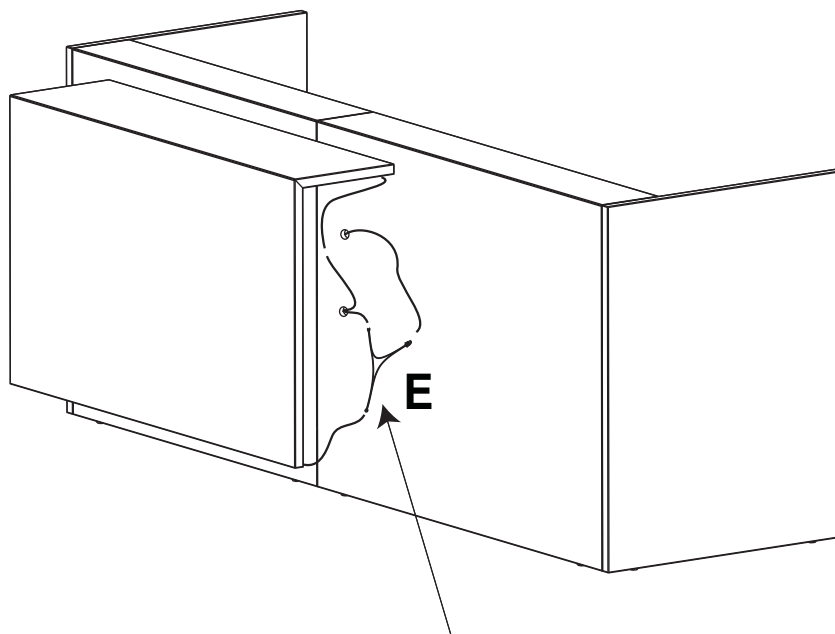
3



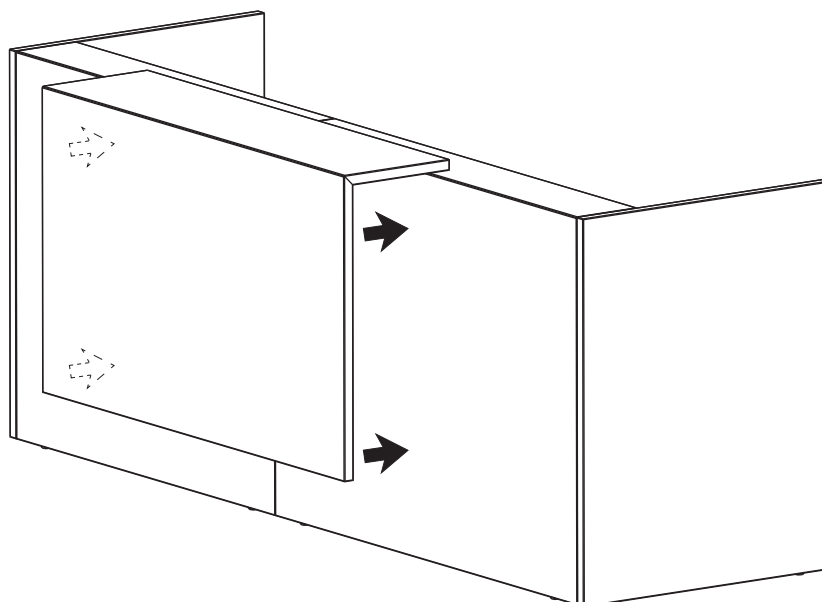
4



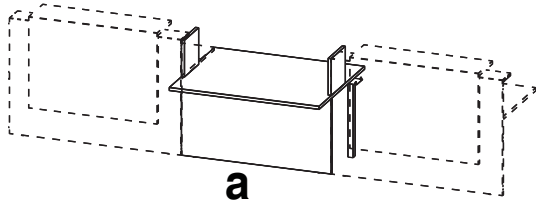
9



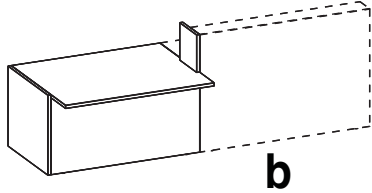
10



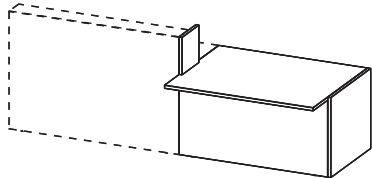
N° 8FI61000



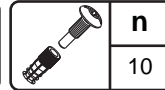
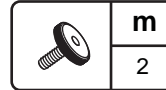
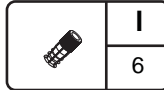
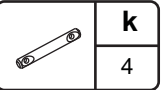
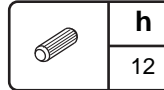
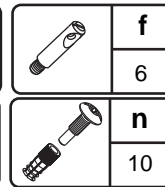
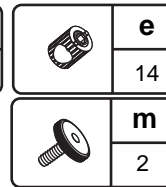
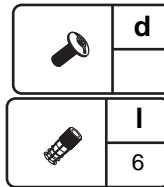
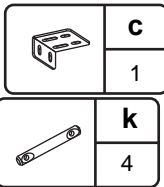
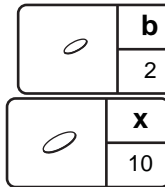
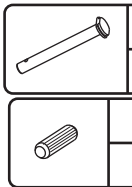
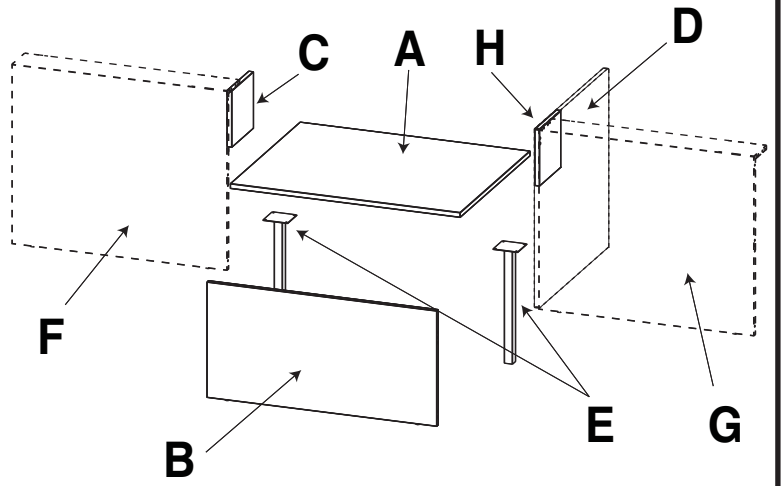
a



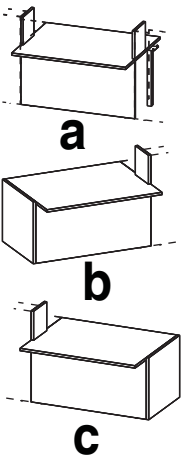
b



c



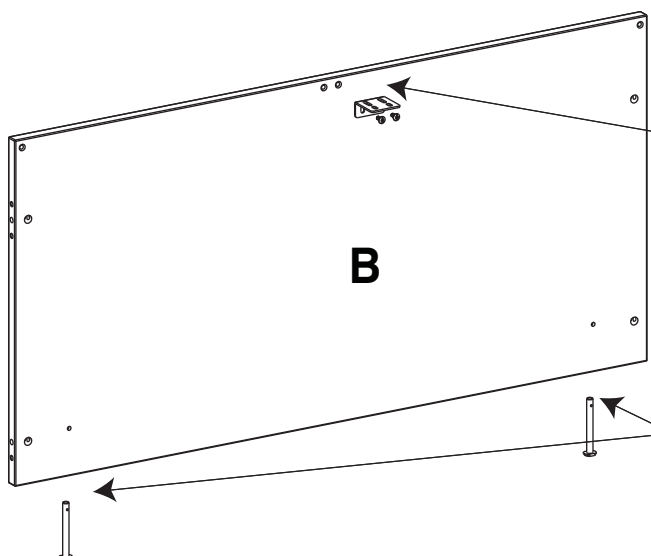
1



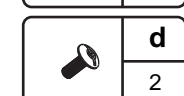
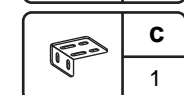
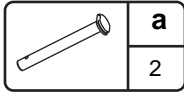
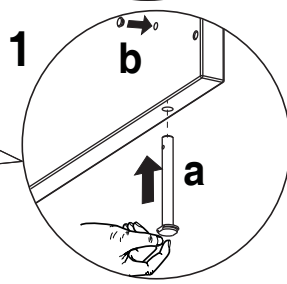
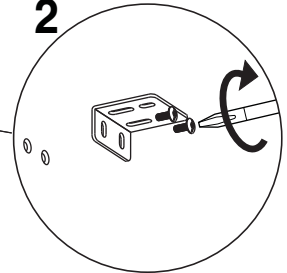
a

b

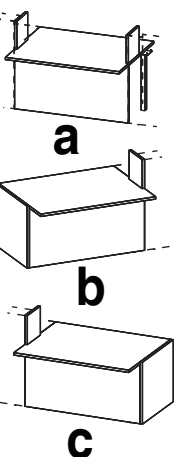
c



2



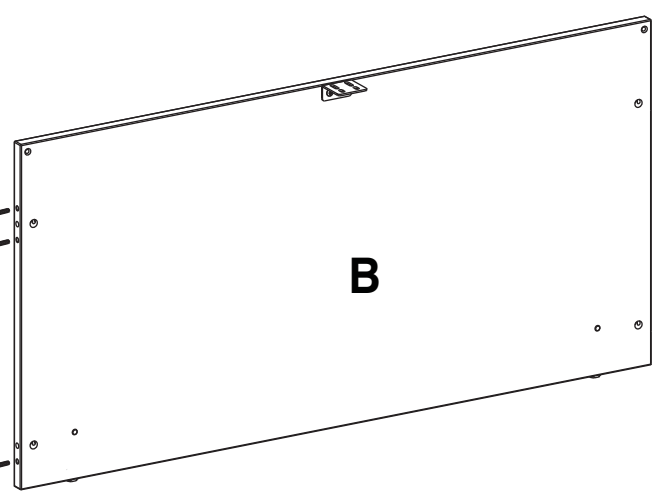
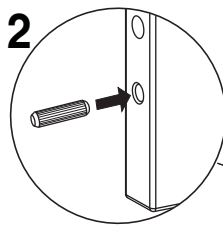
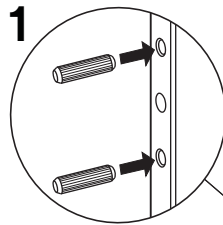
2



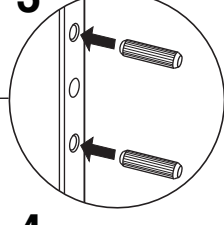
a

b

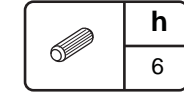
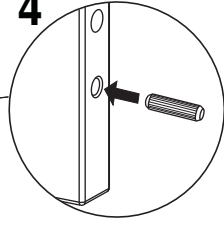
c



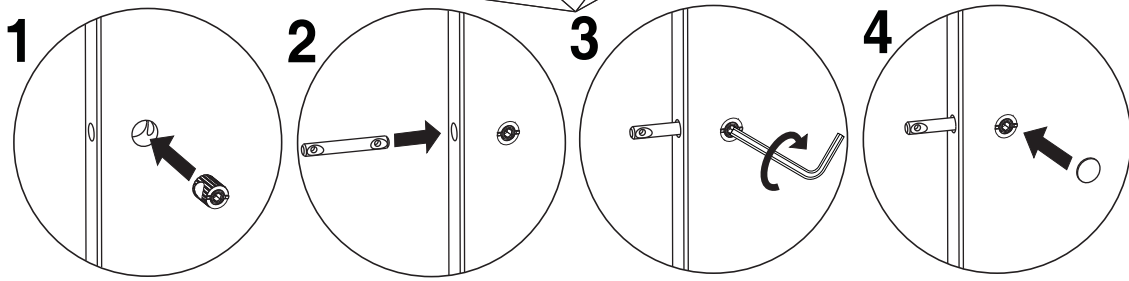
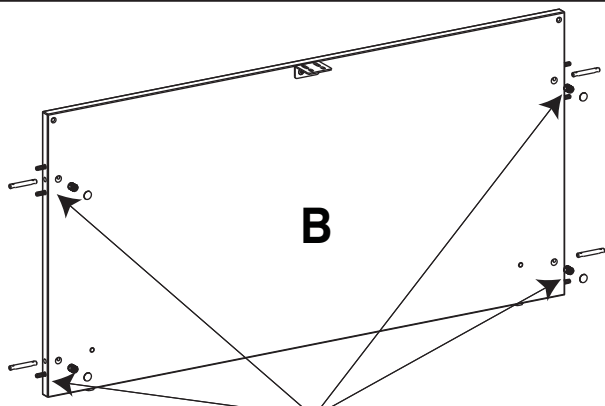
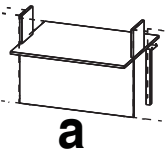
3



4

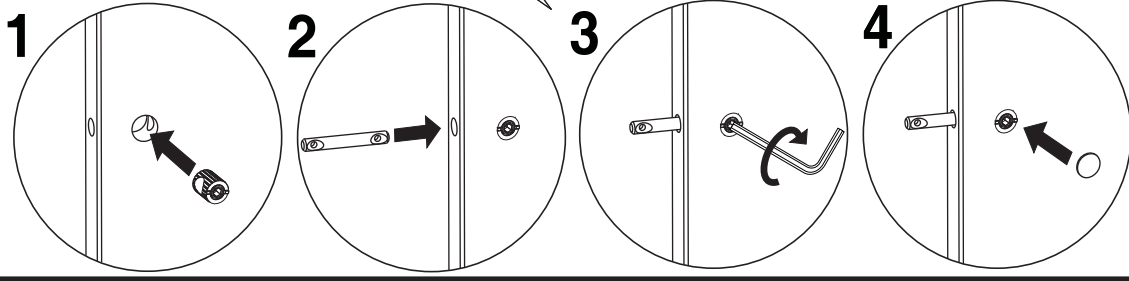
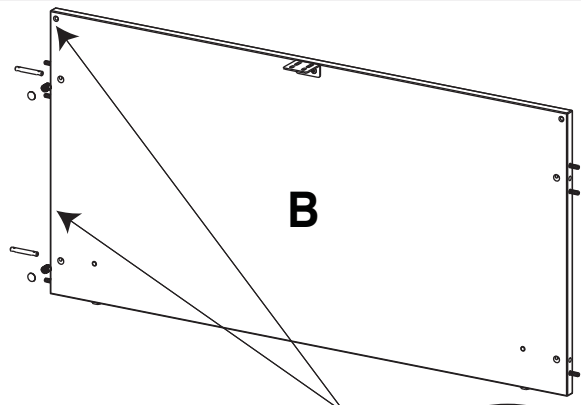
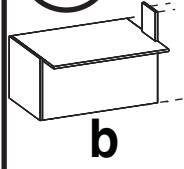


3



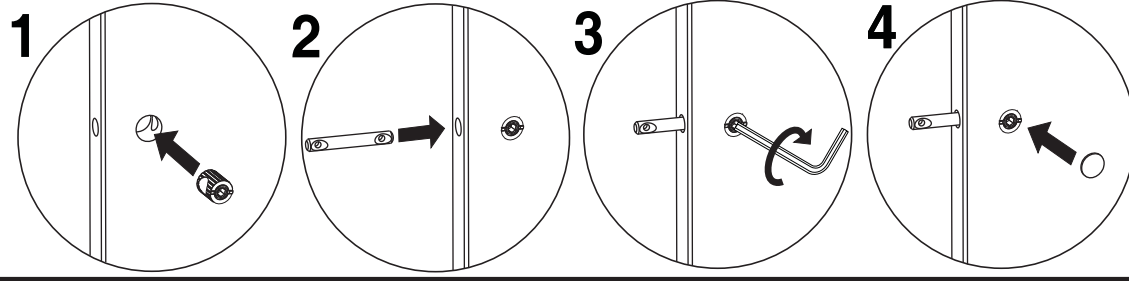
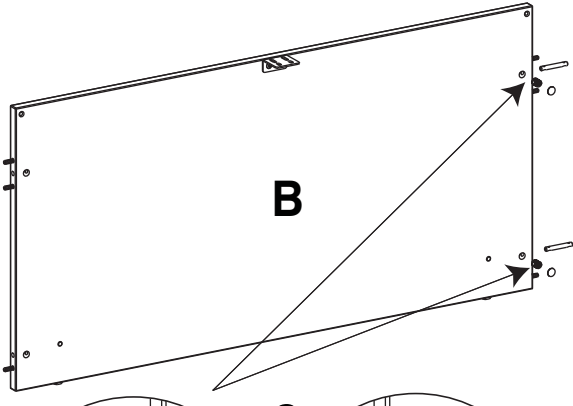
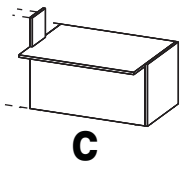
	e
	4
	k
	4
	x
	4

4



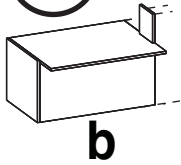
	e
	2
	k
	2
	x
	2

5

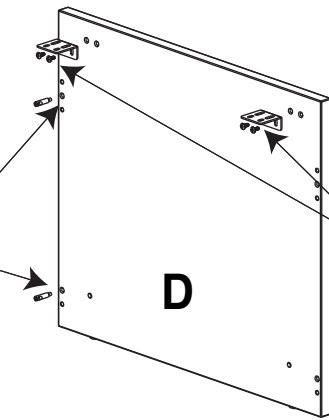
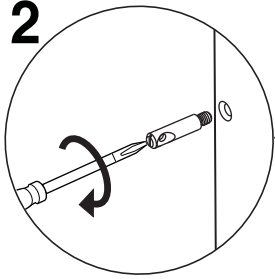


	e
	2
	k
	2
	x
	2

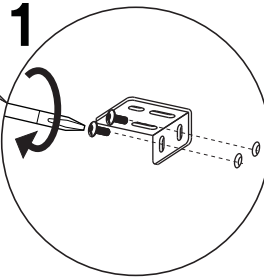
6



2



1

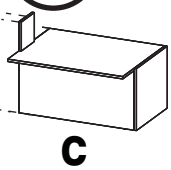


	f
	2

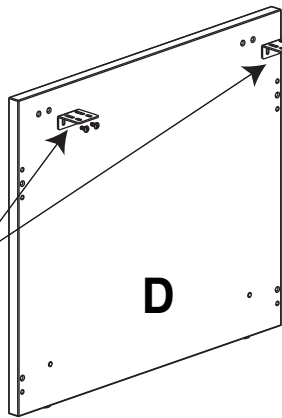
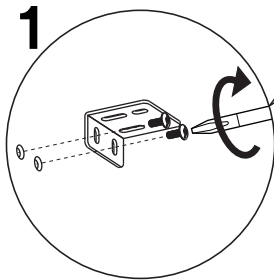
	c
	2

	d
	4

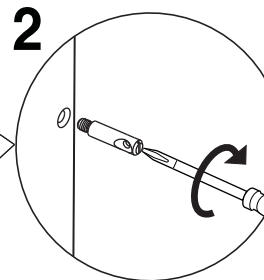
7



1



2

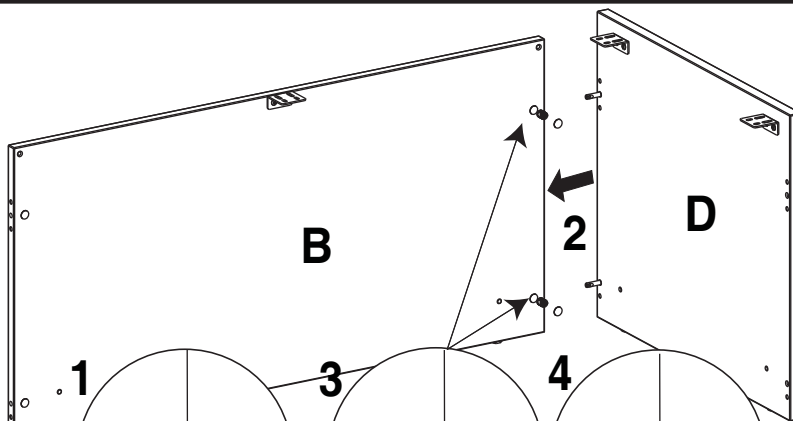
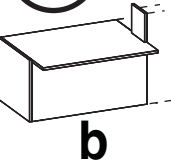


	f
	2

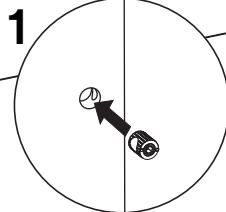
	c
	2

	d
	4

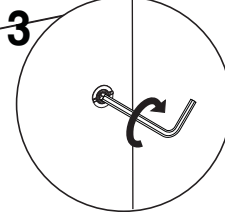
8



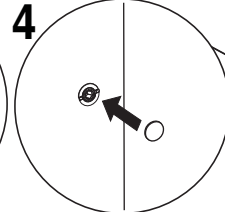
1



3



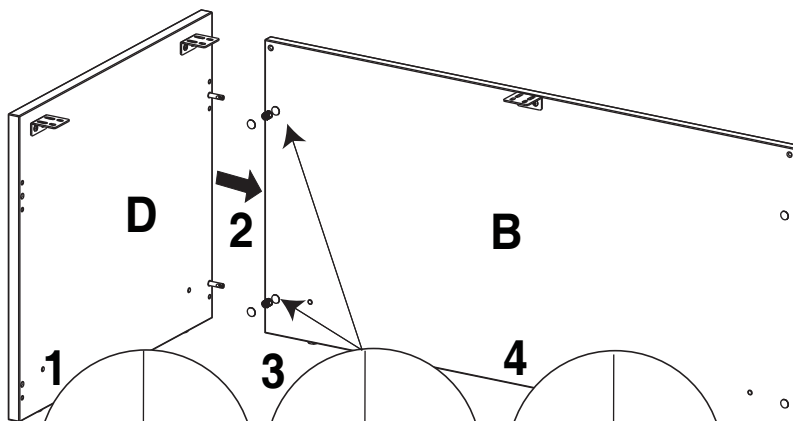
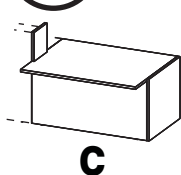
4



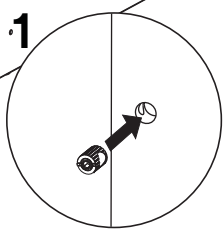
	e
	2

	x
	2

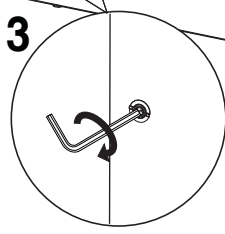
9



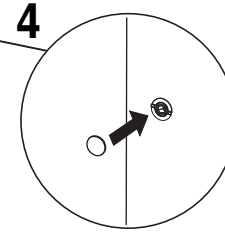
1



3



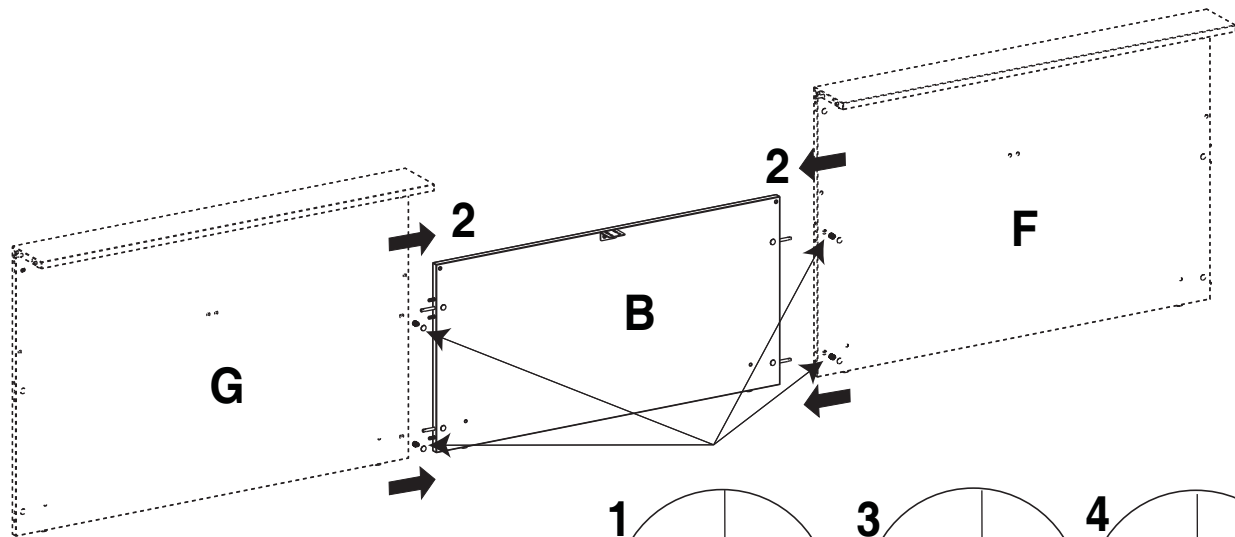
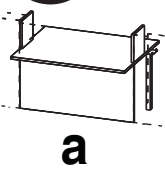
4



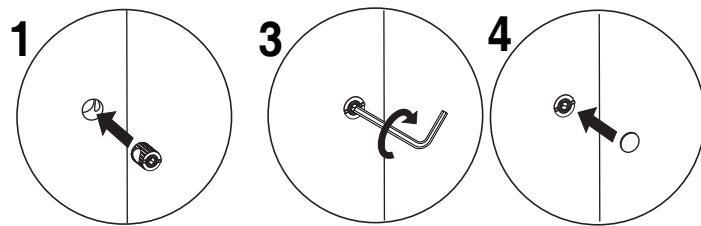
	e
	2

	x
	2

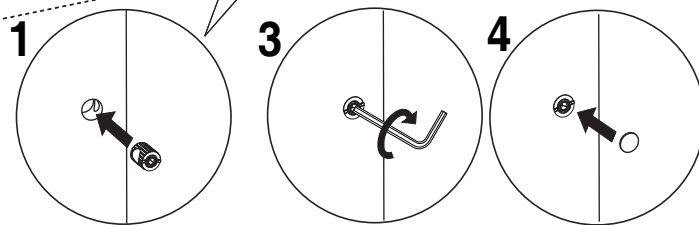
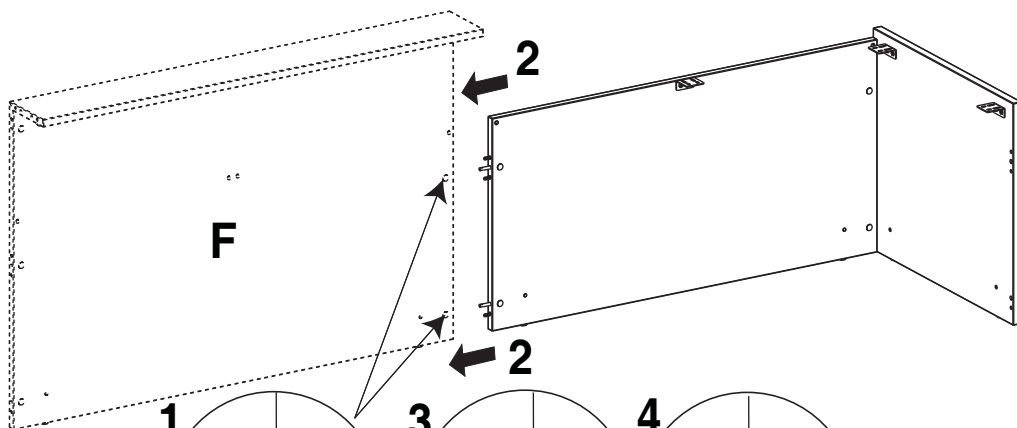
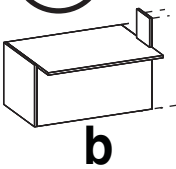
10



	e		x
	4		4

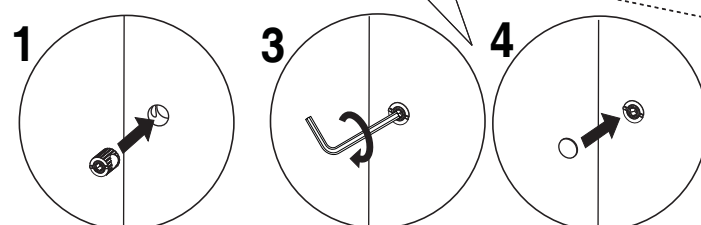
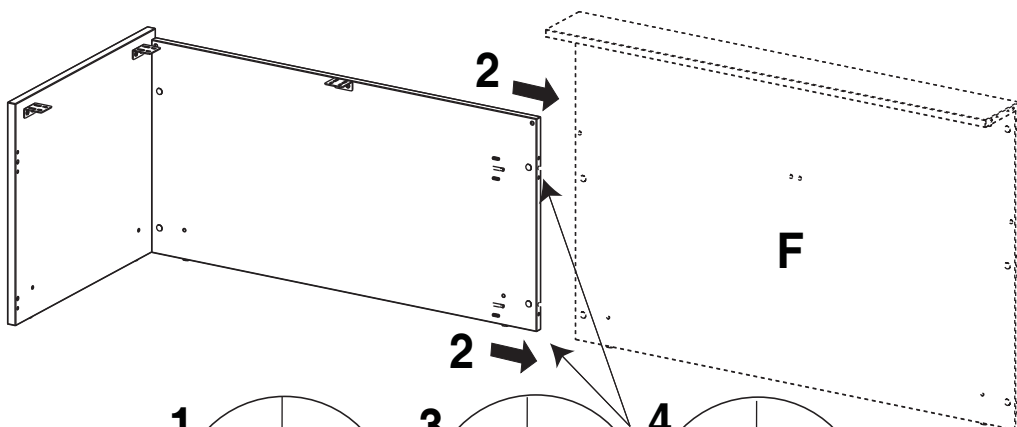
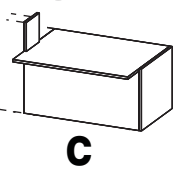


11



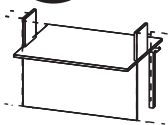
	e
	2
	x
	2

12

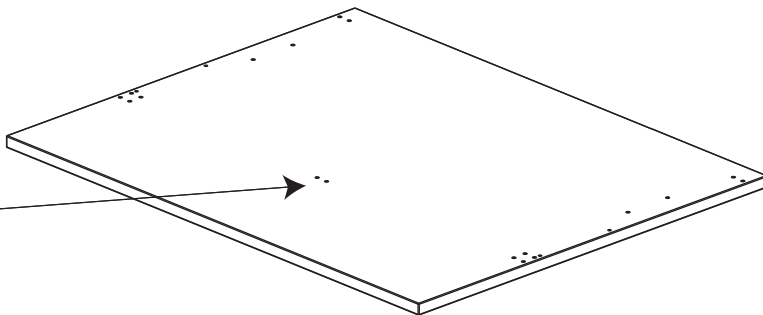
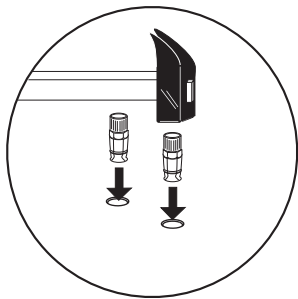



	e
	2
	x
	2

13

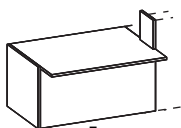


a

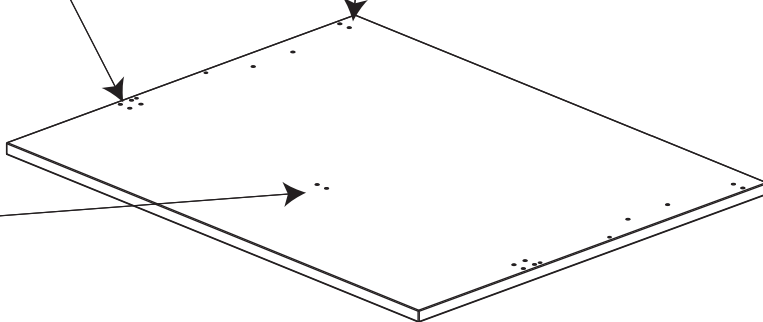
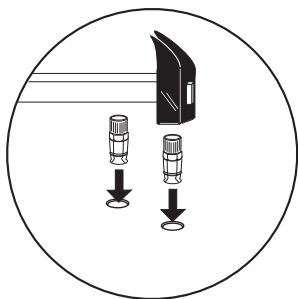
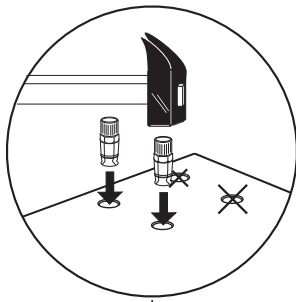
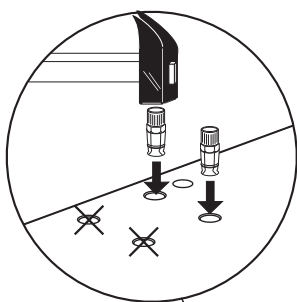



	n
	2

14

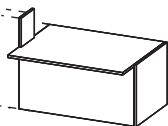


b

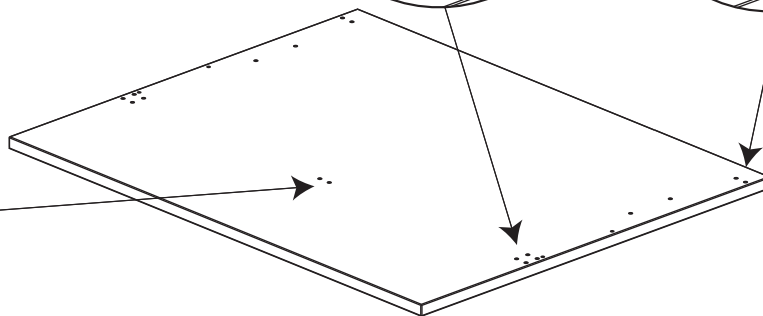
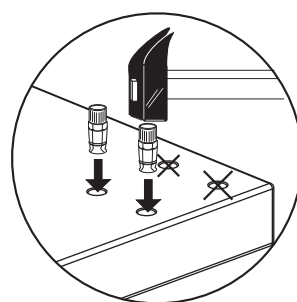
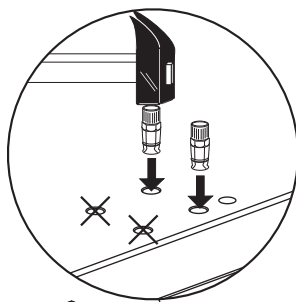
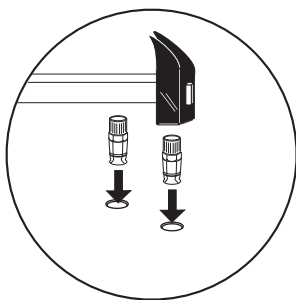



	n
	6

15

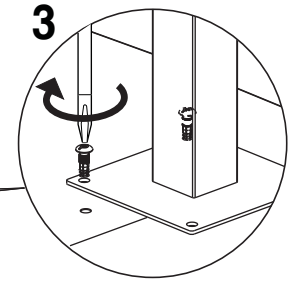
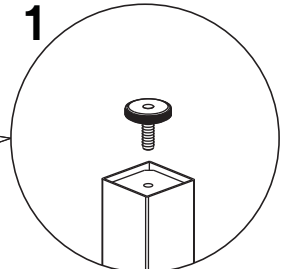
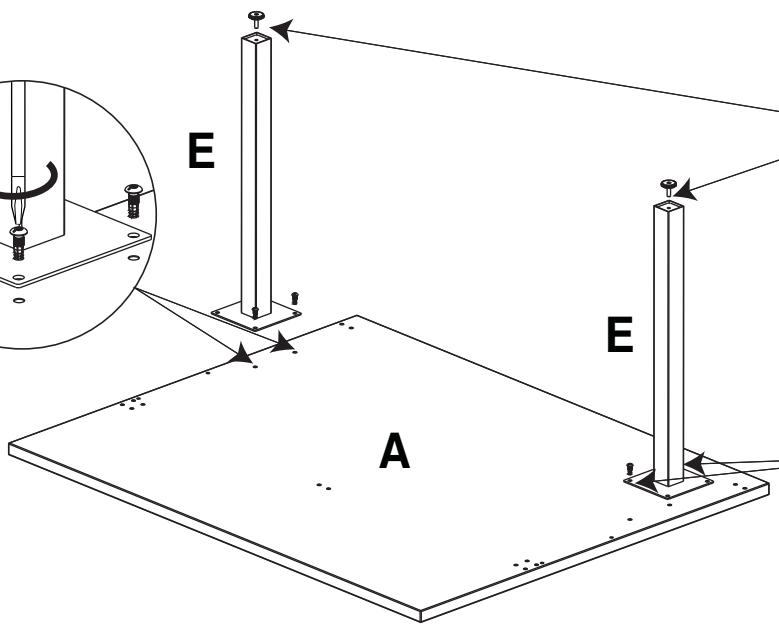
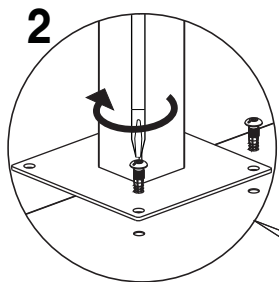
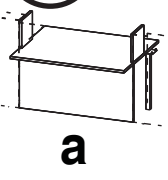



c




	n
	6

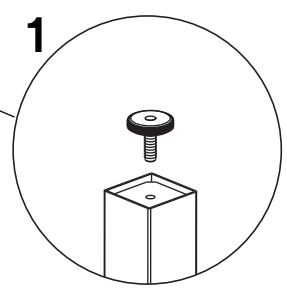
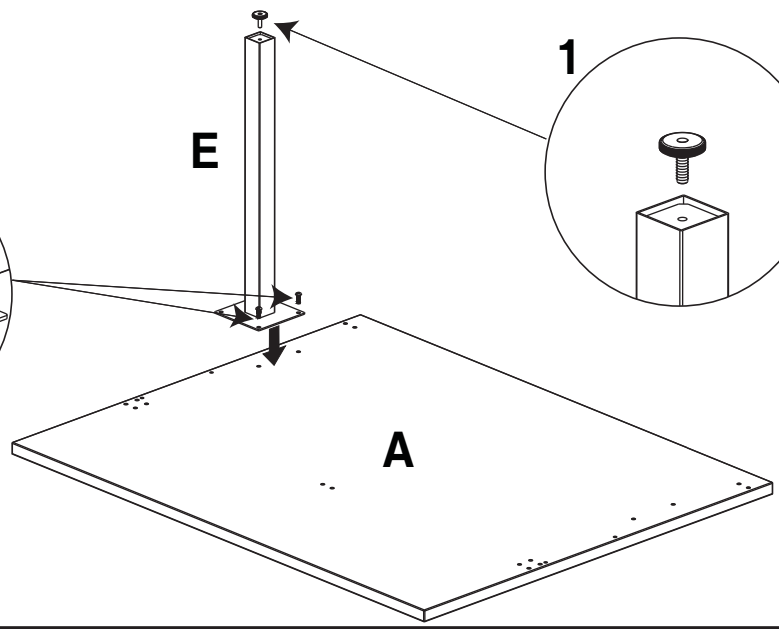
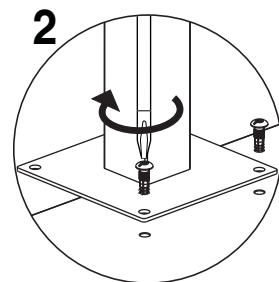
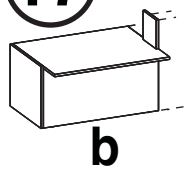
16




	n
	4

	m
	2

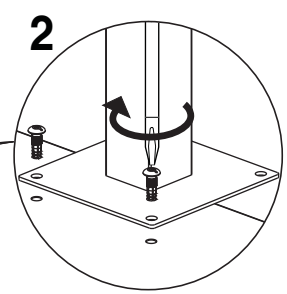
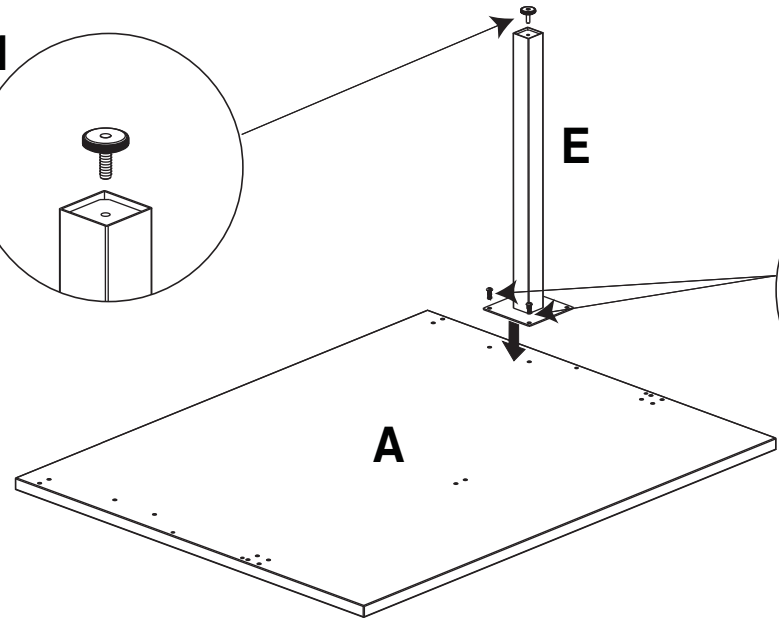
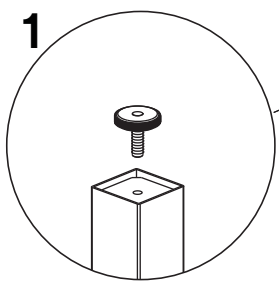
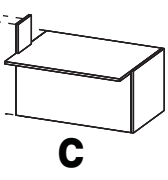
17





	m
	1

	n
	2

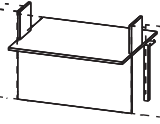
18



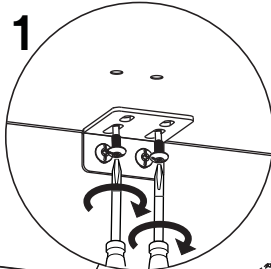
	m
	1

	n
	2

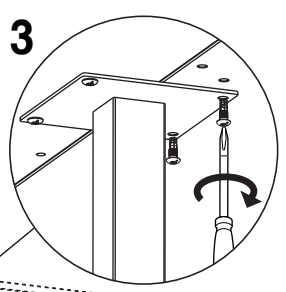
19



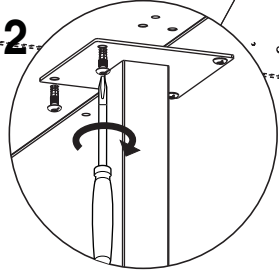
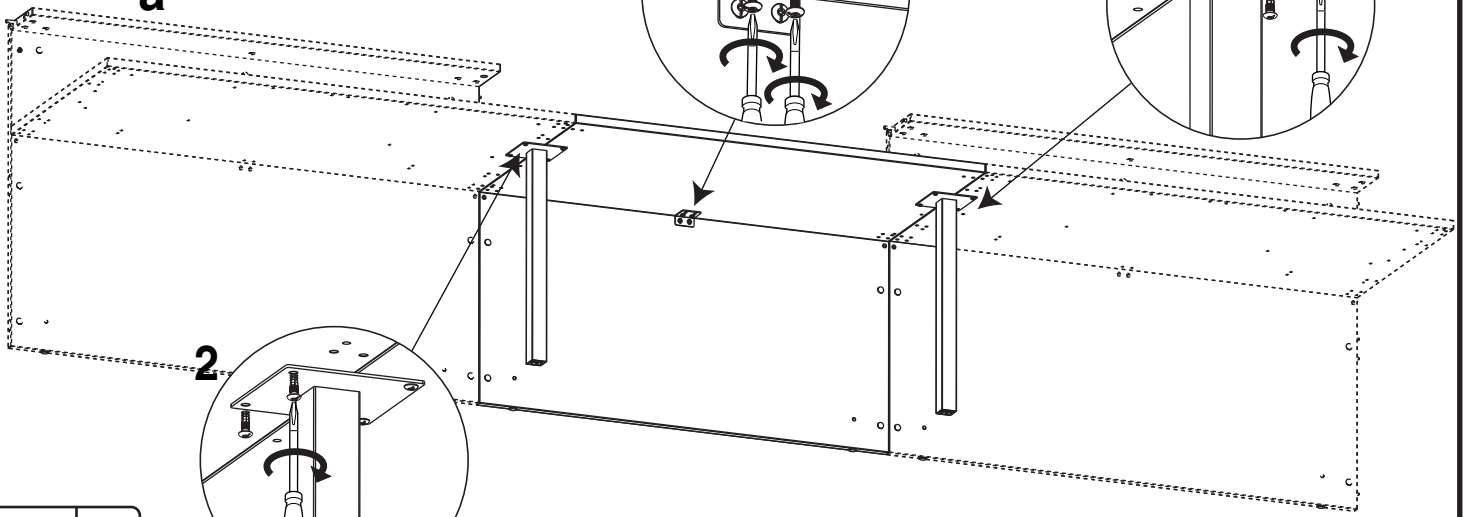
a



1



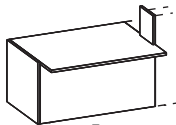
3



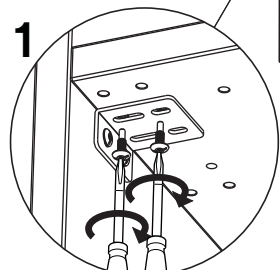
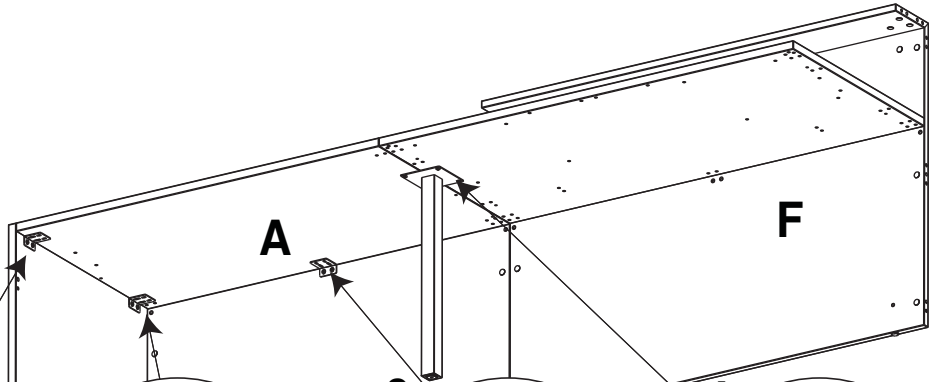
2

	n
	6

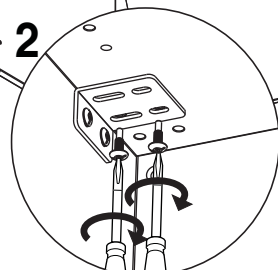
20



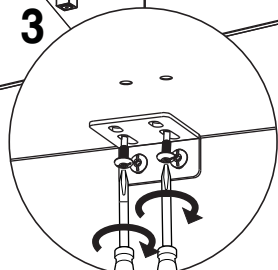
b



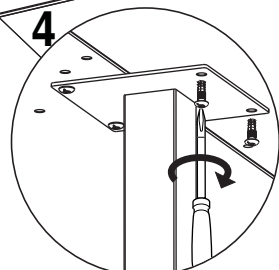
1




2




3

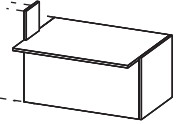


4

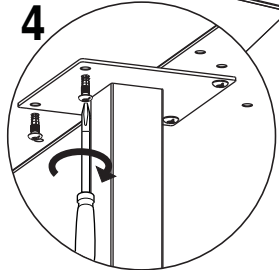
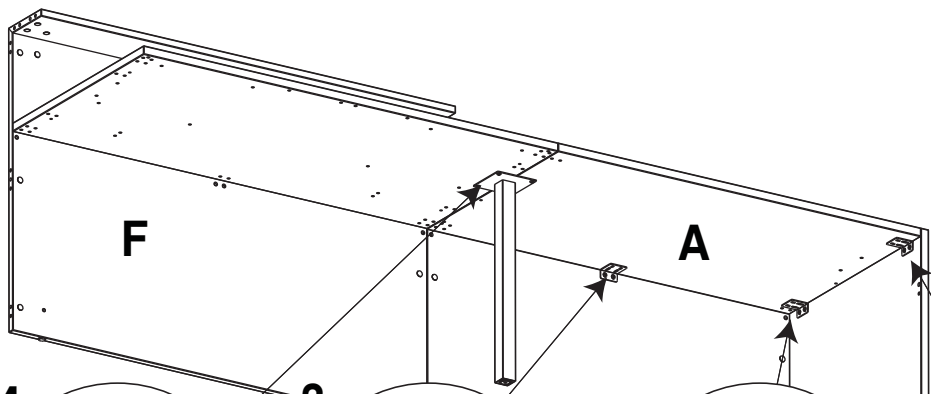
	n
	6

	d

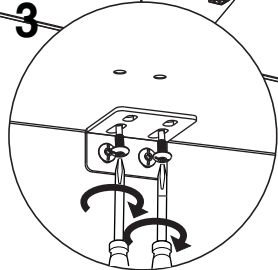
21



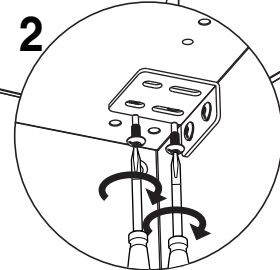
c



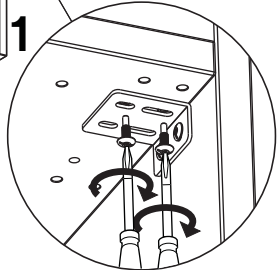
4




3



2

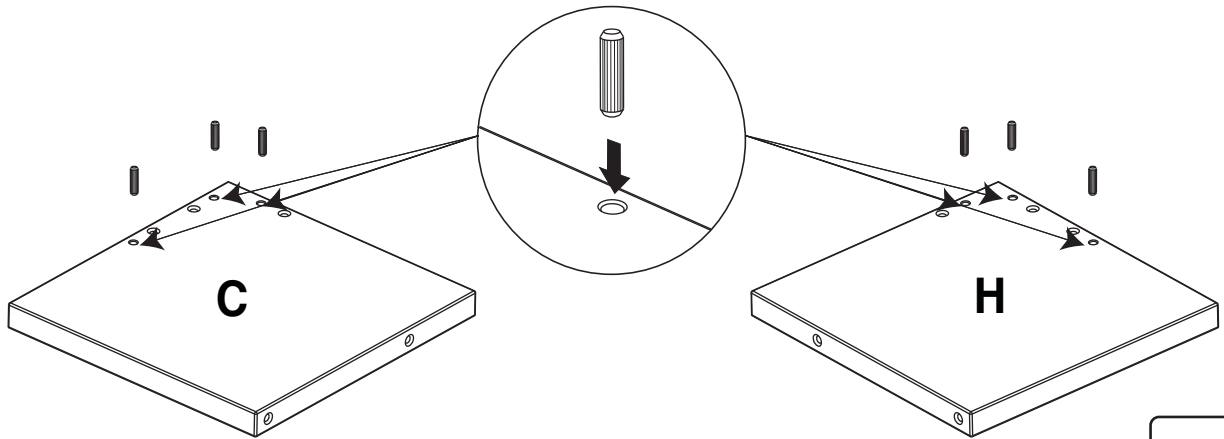
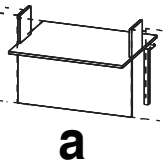



1

	n
	6

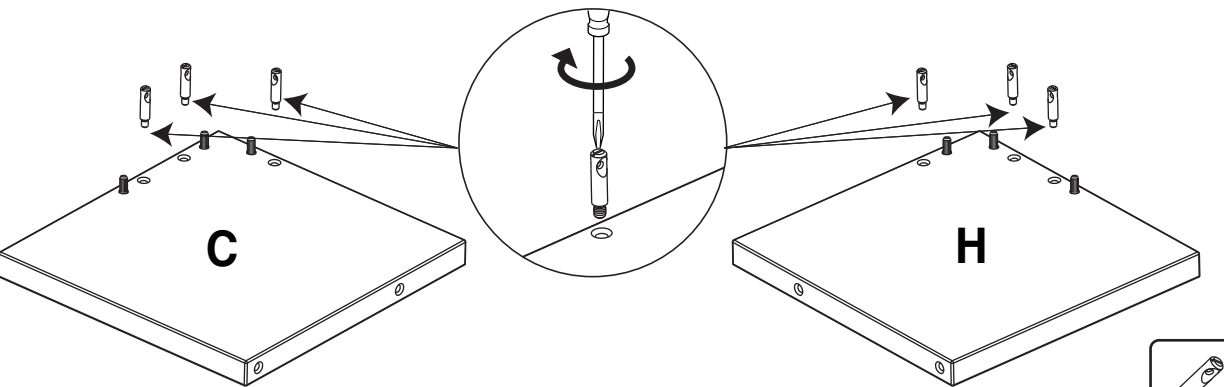
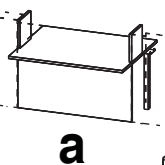
	d


22



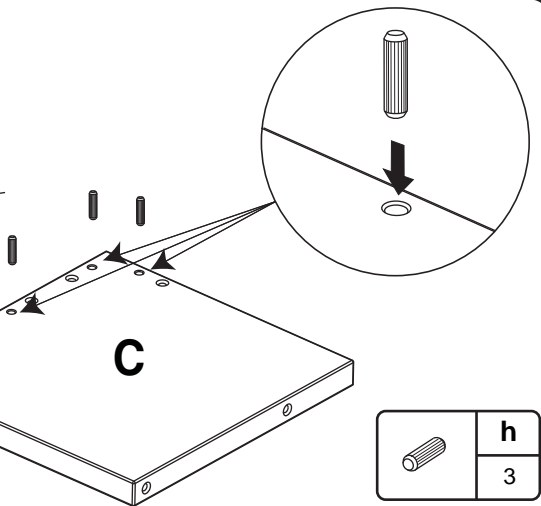
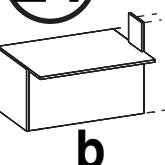
	h
	6


23



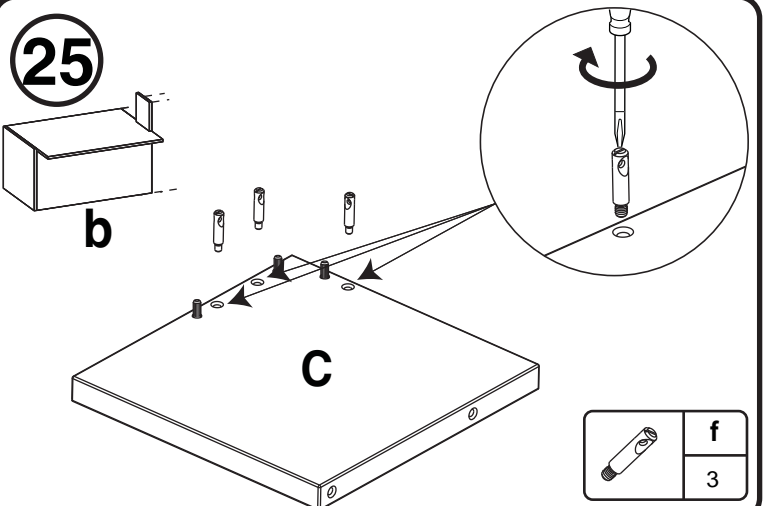
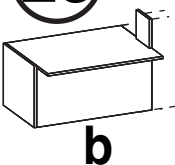
	f
	6


24



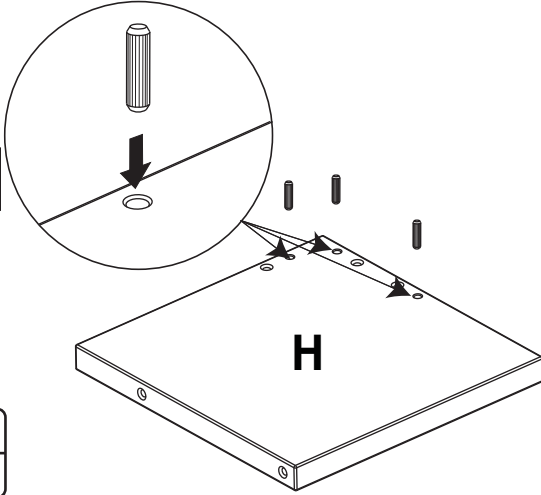
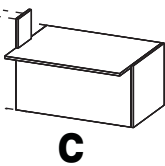
	h
	3


25



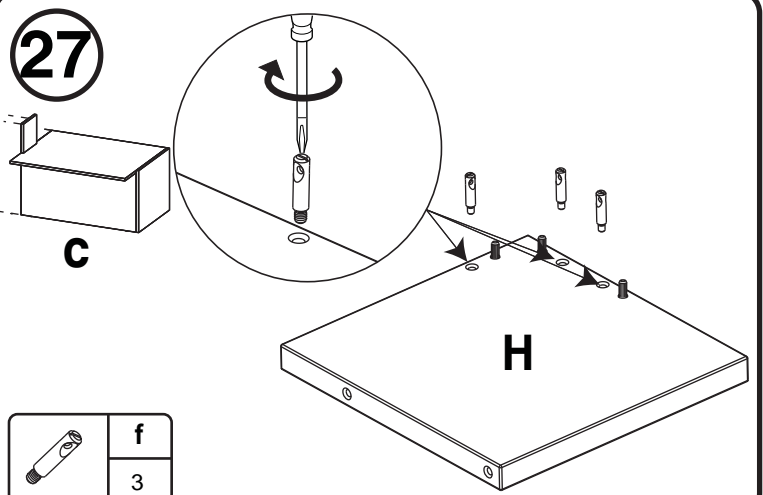
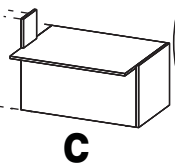
	f
	3


26



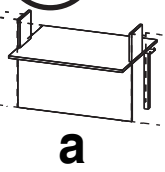
	h
	3

27

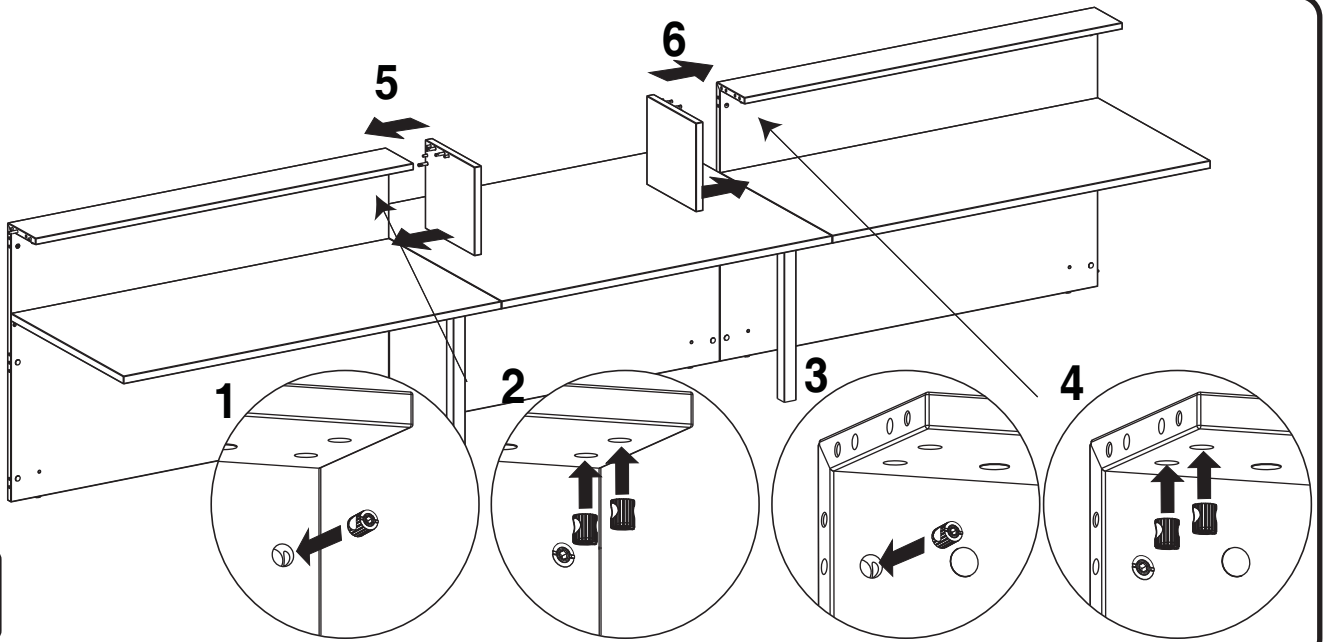


	f
	3

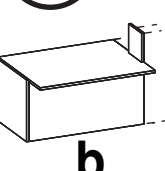
28



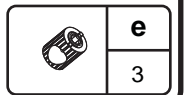
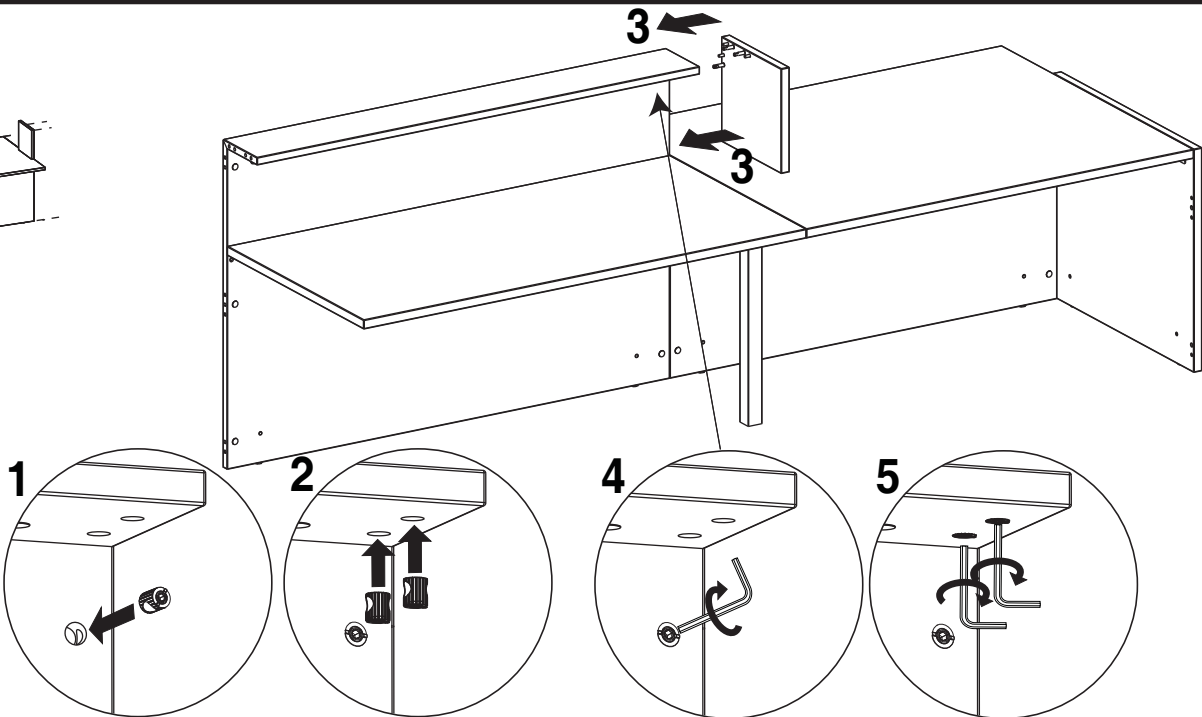
a



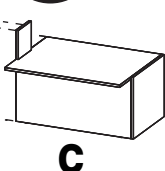
29



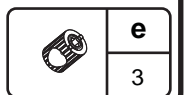
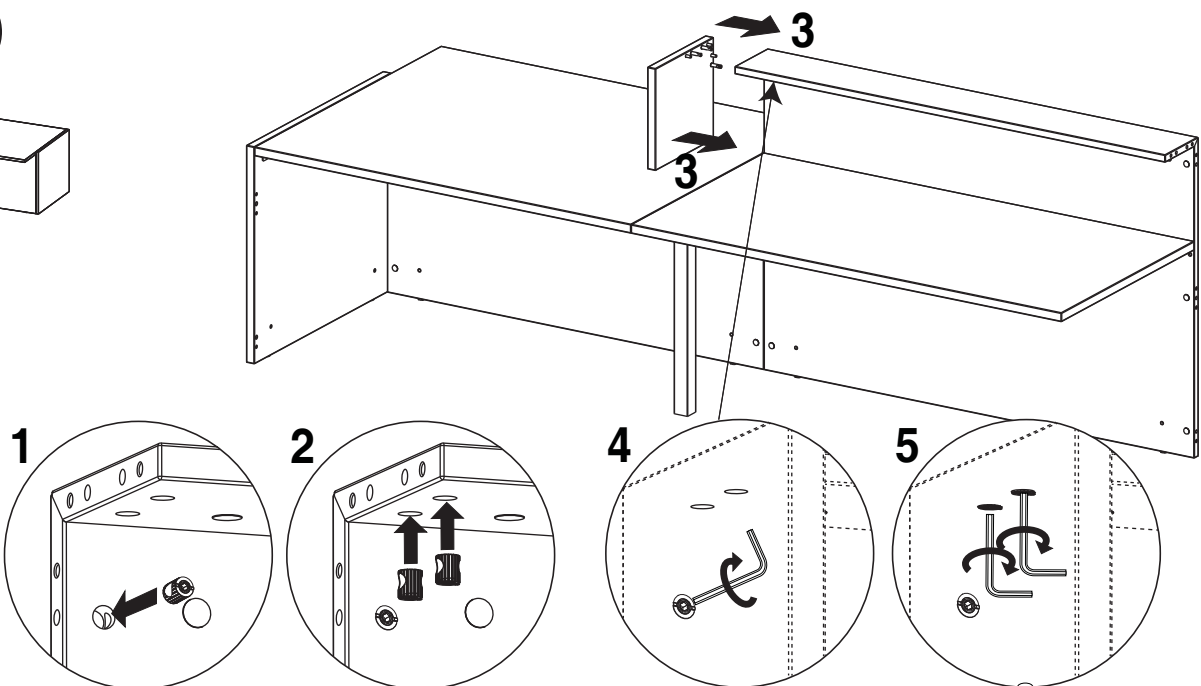
b



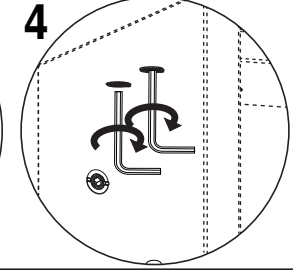
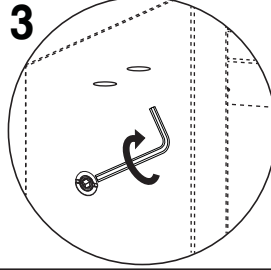
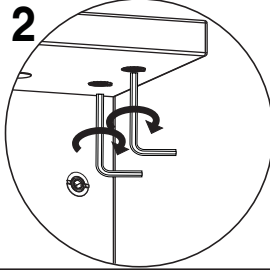
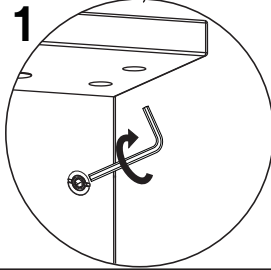
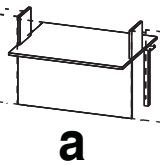
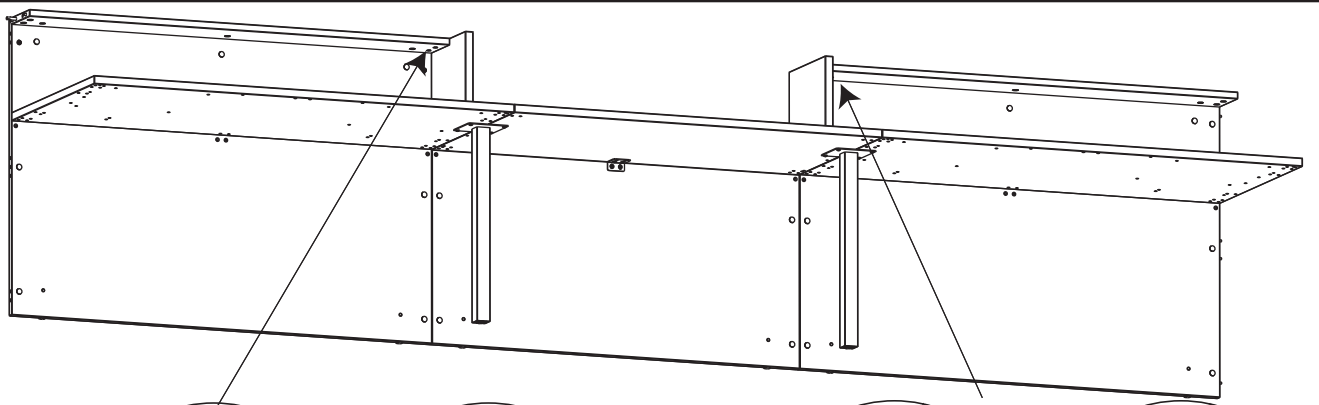
30



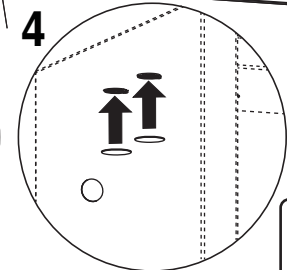
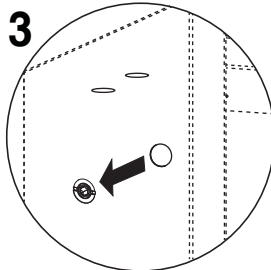
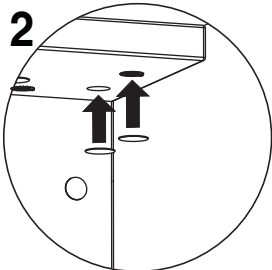
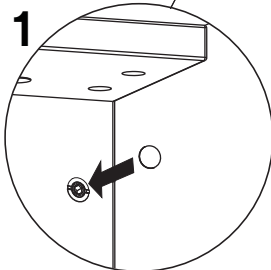
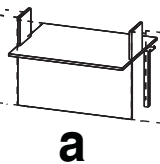
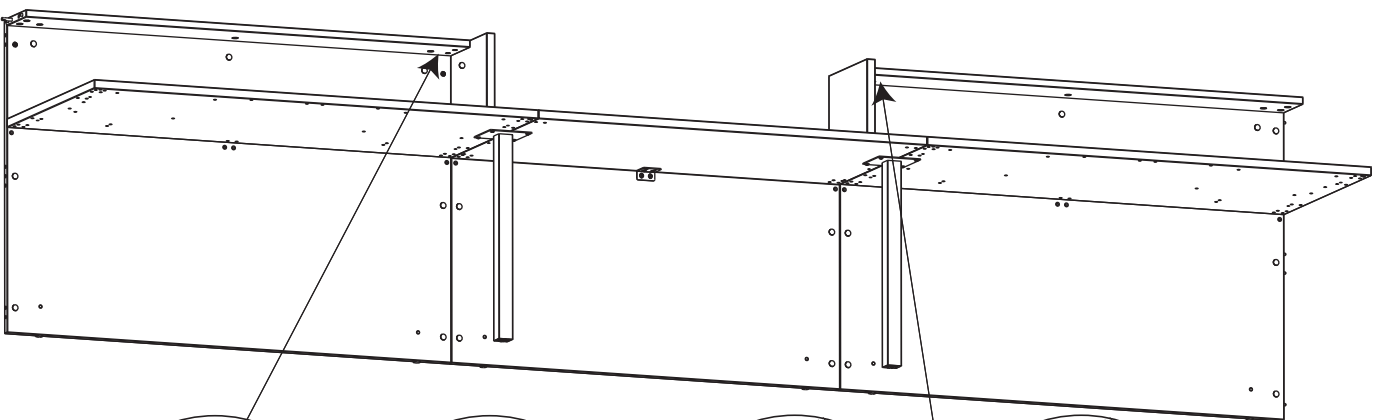
c



31

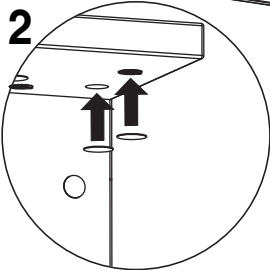
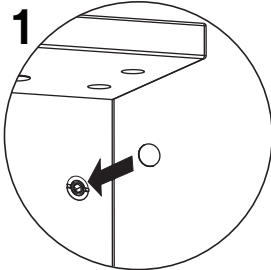
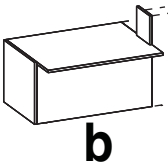
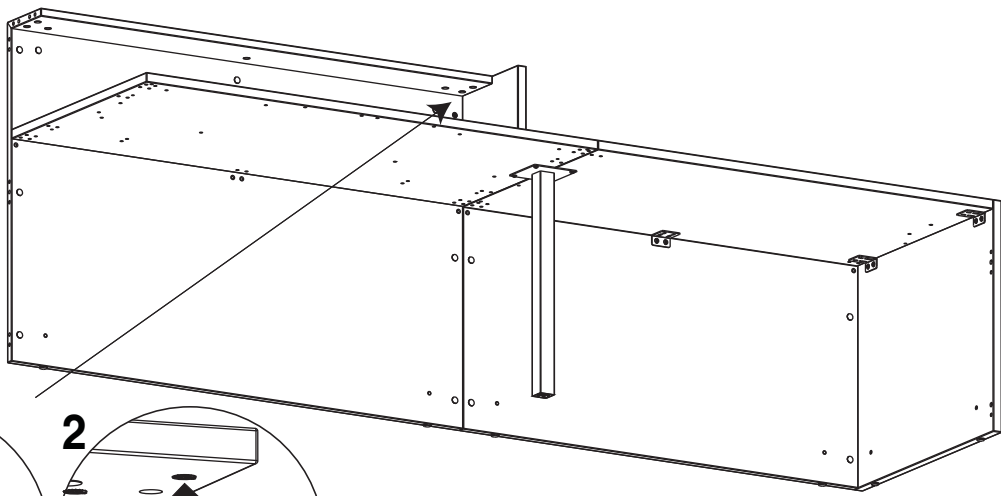


32




	X
	6

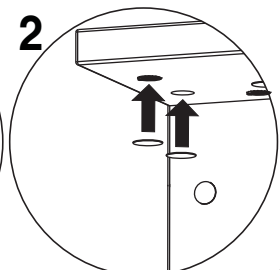
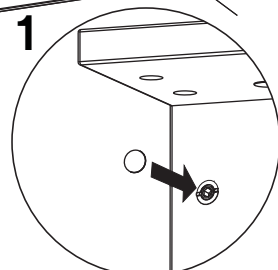
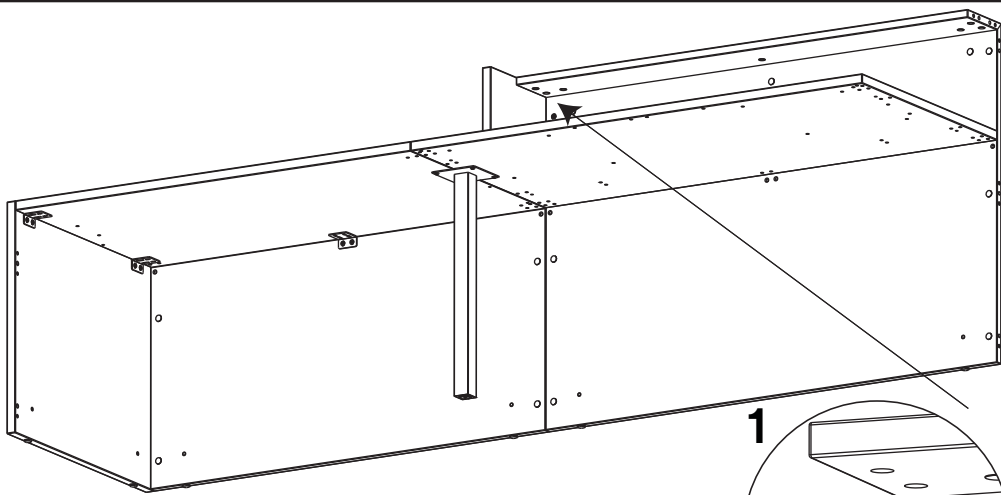
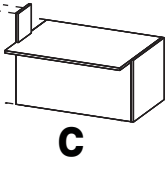
33



	X
	3

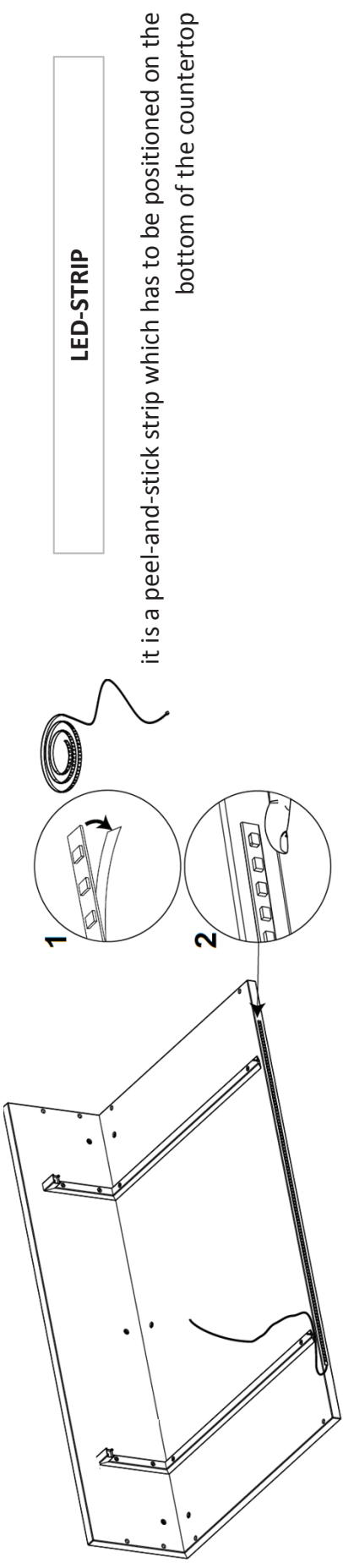
34

	X
	3



1

HOW DO YOU FIT THE LED-STRIP AND LED-LAMP TO THE Z2 RECEPTION ?

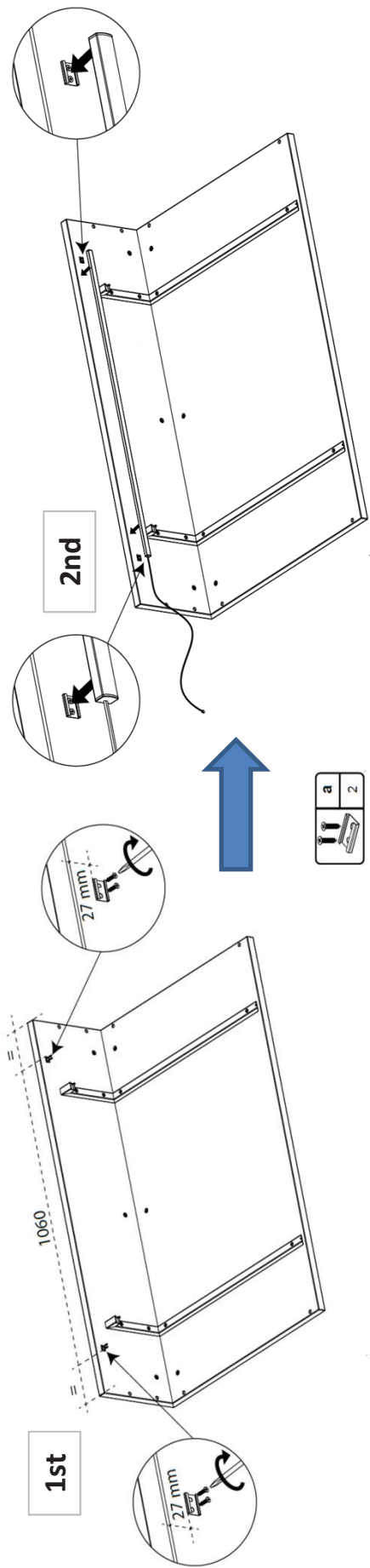


LED-STRIP

it is a peel-and-stick strip which has to be positioned on the bottom of the countertop

RECEPTIONIST'S LED-LAMP

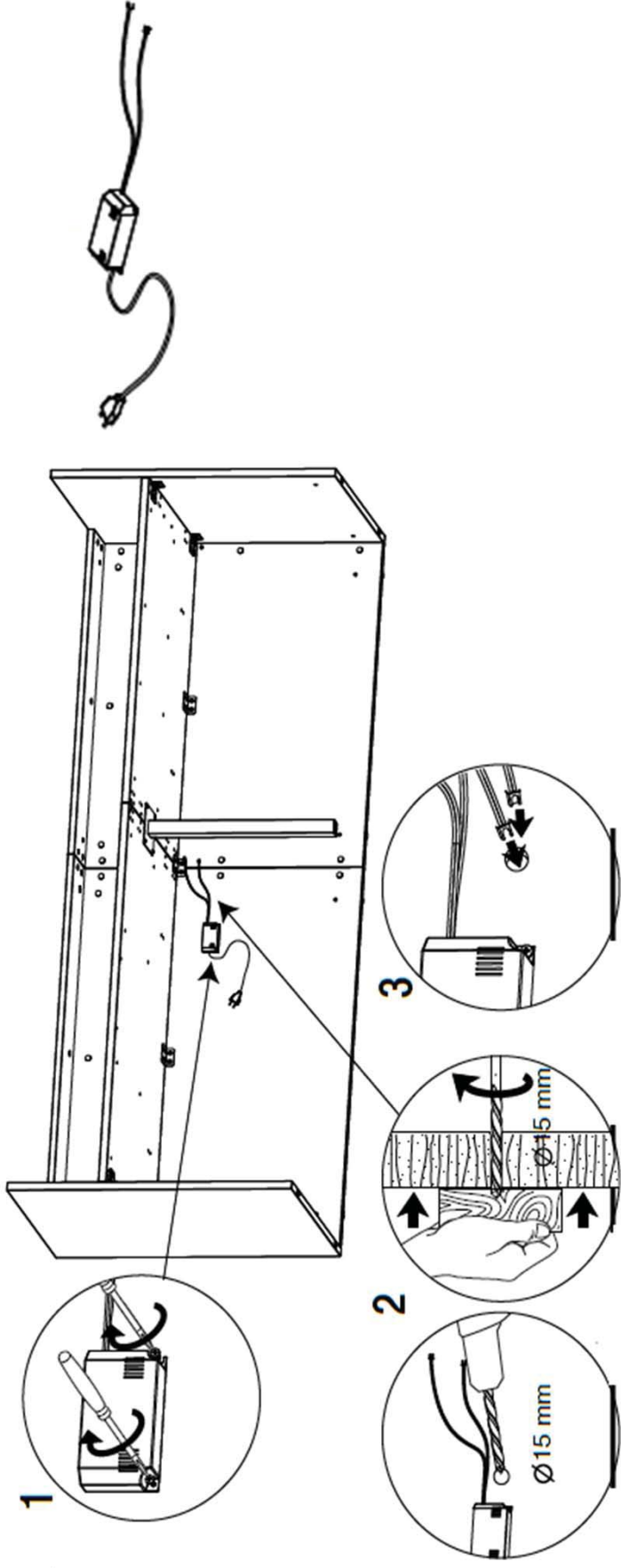
first of all fix the two plates on the underside of the countertop, then push the lamp in



1st

2nd

a 2



First of all fix the transformer to the back of the counter by means of two screws
Then drill a 15mm \varnothing hole to let the cables run through

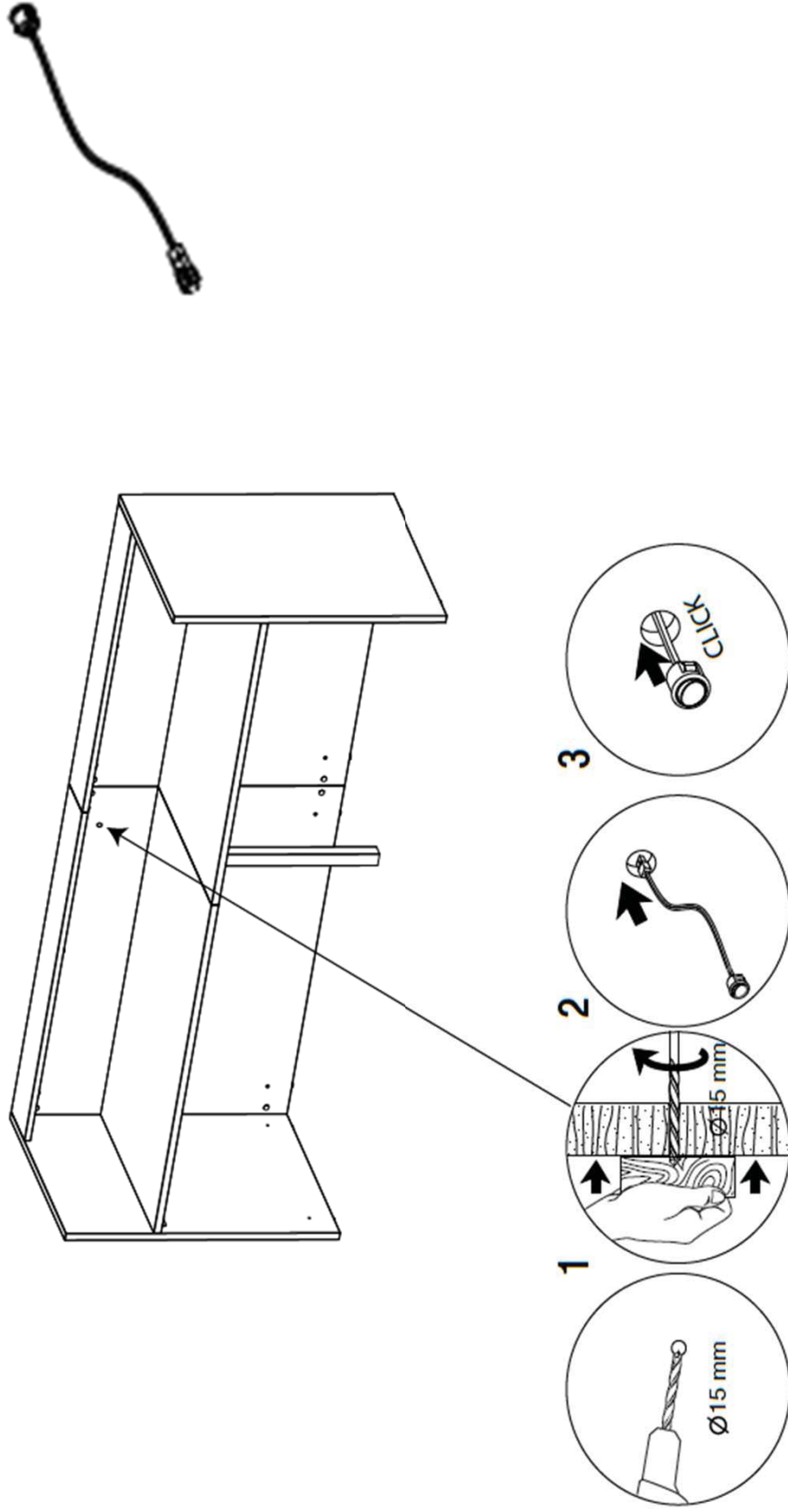
It is advisable to position the transformer and the hole under the worktop so that both are not exposed and not visible

The transformer is multi-voltage and suits all Countries
The transformer cable is supplied with an Italian-style two-pin plug (see image)

You may need to provide an adapter to fit the plug in your socket outlet
or replace the supplied plug with a local one

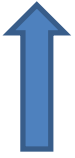
(Quadrifoglio will not include adapters in the LED Lighting Kit)





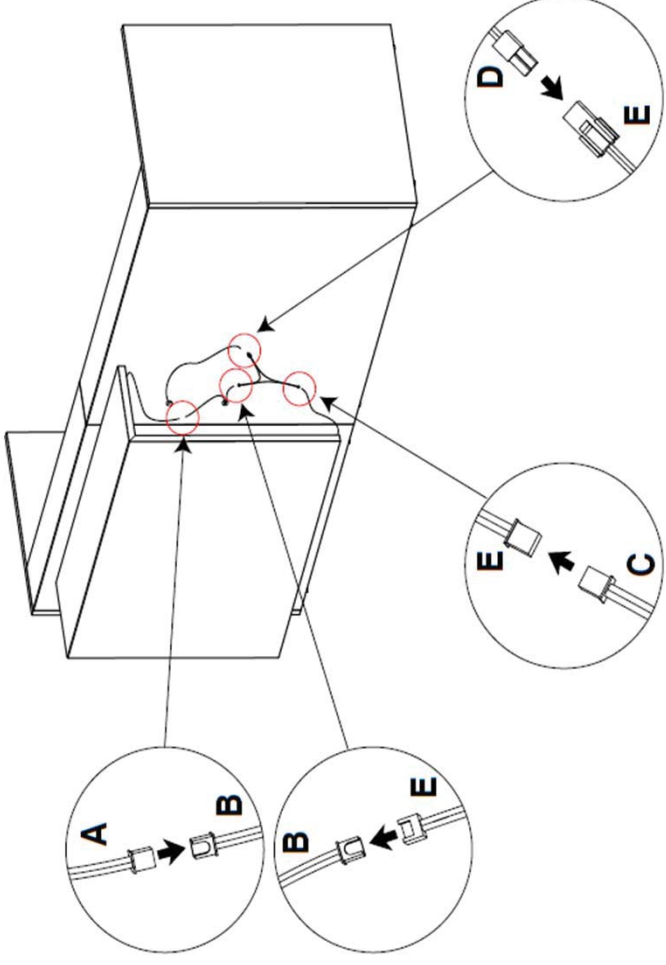
First of all drill a 15mm \varnothing hole on the back of the counter, above the worktop
Let the switch cable run through and push the switch into the hole till you hear a click
That is the correct position for the switch, easily accessible by the receptionist

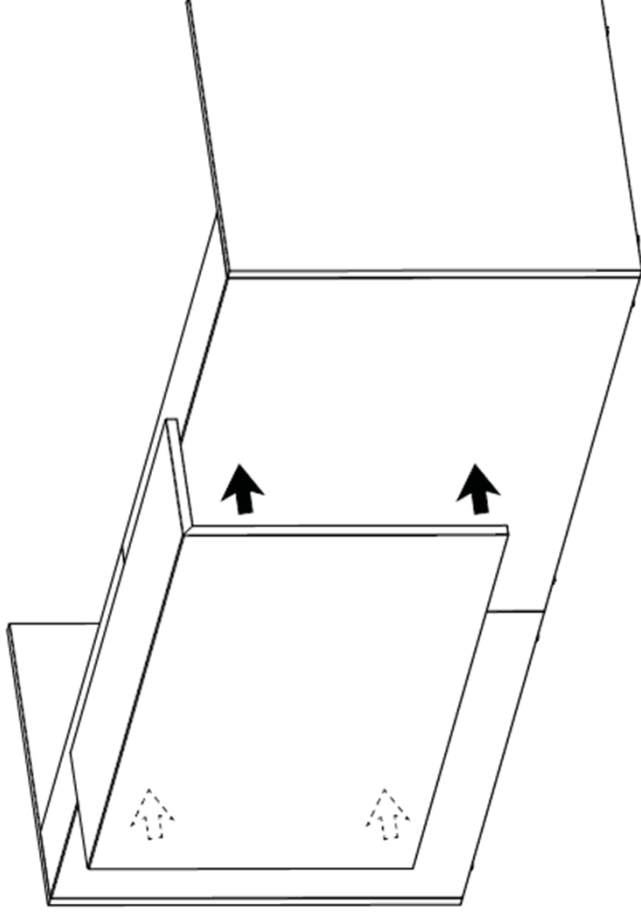
In the LED Lighting Kit you will find a multiple connection cable



You need to connect following cables:

- the receptionist's LED lamp → to the transformer
- the transformer → to the multiple connection cable
- the LED strip → to the multiple connection cable
- the on/off switch → to the multiple connection cable





If you wish to install LED lights on more countertops in a row, three for example like in the image, you will have to make use of a LED Lighting Kit per each countertop

which means:

to install three LED strips, three LED lamps, three transformers,
three switches, three multiple connection cables

